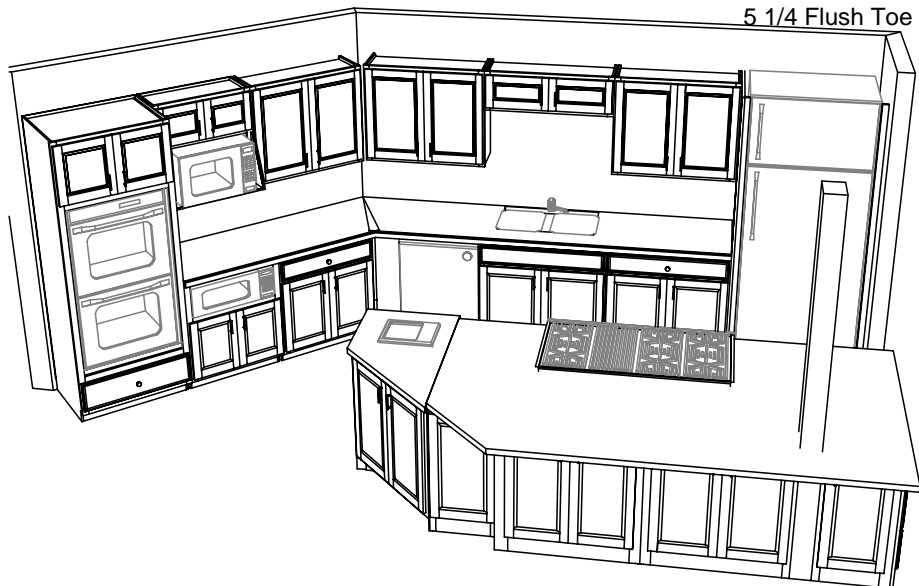
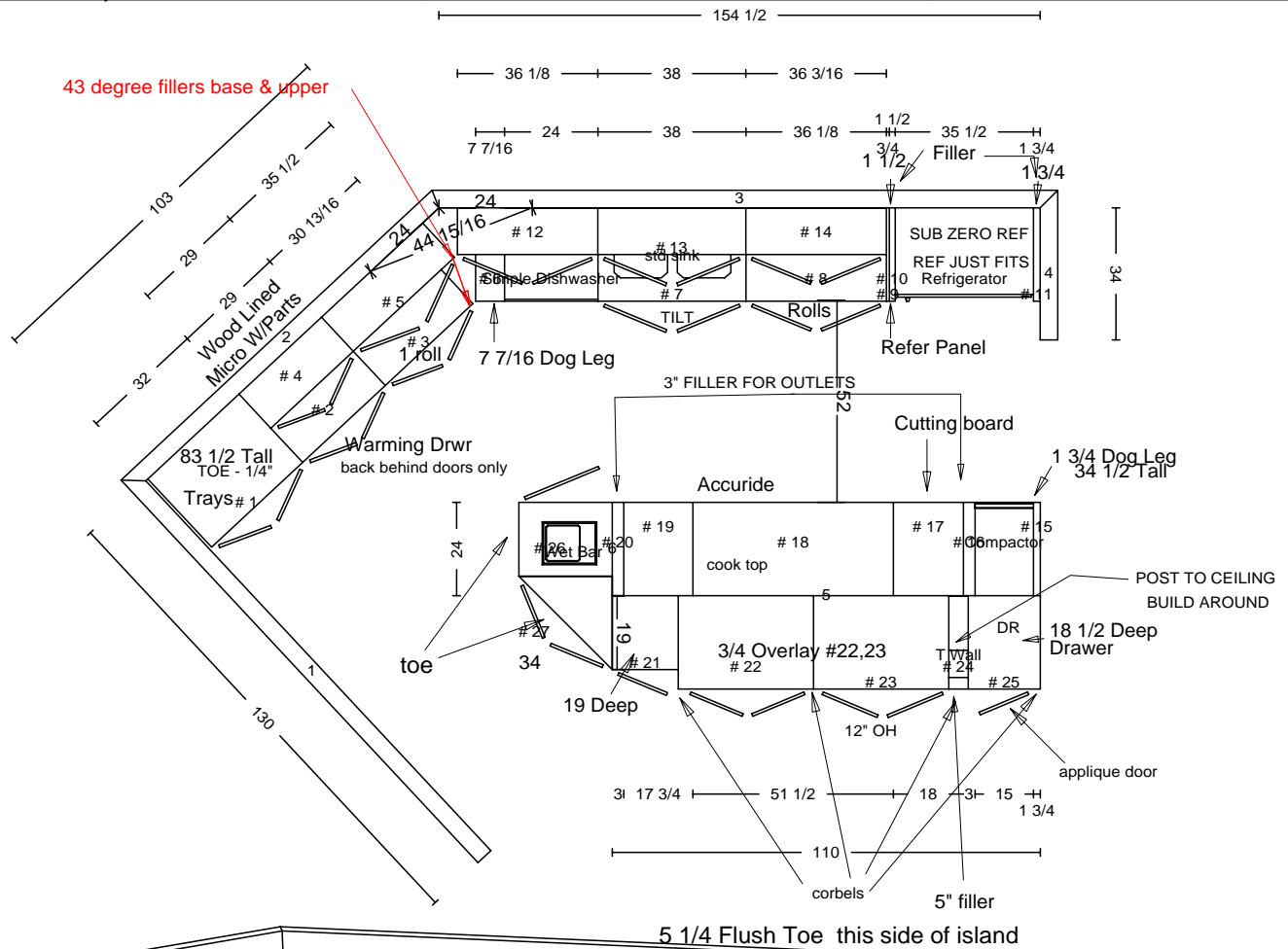
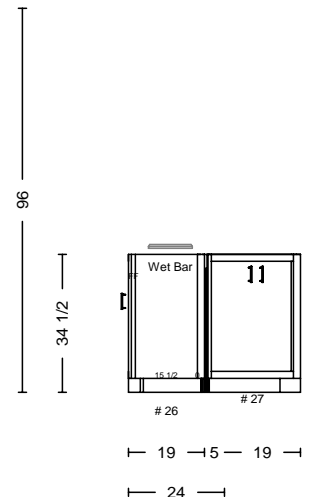
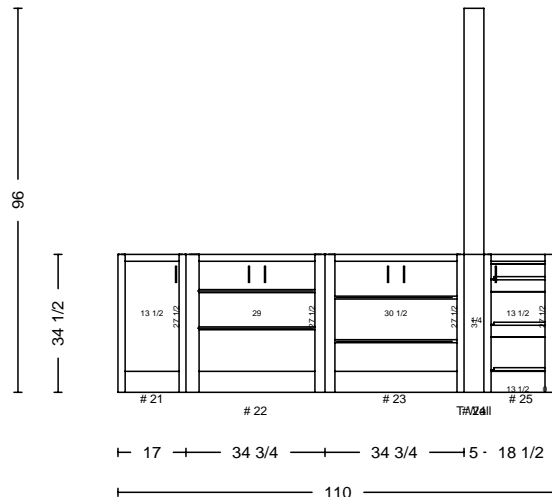
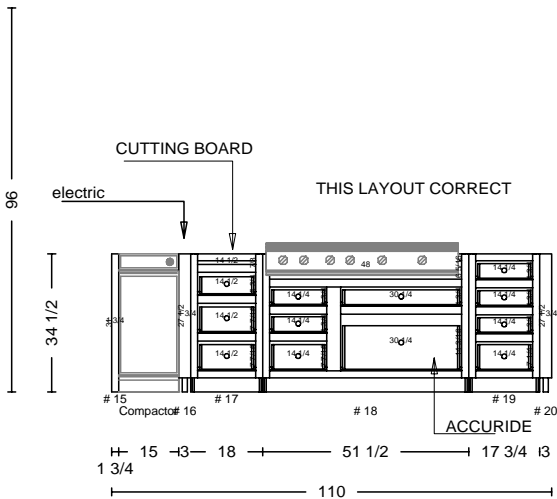
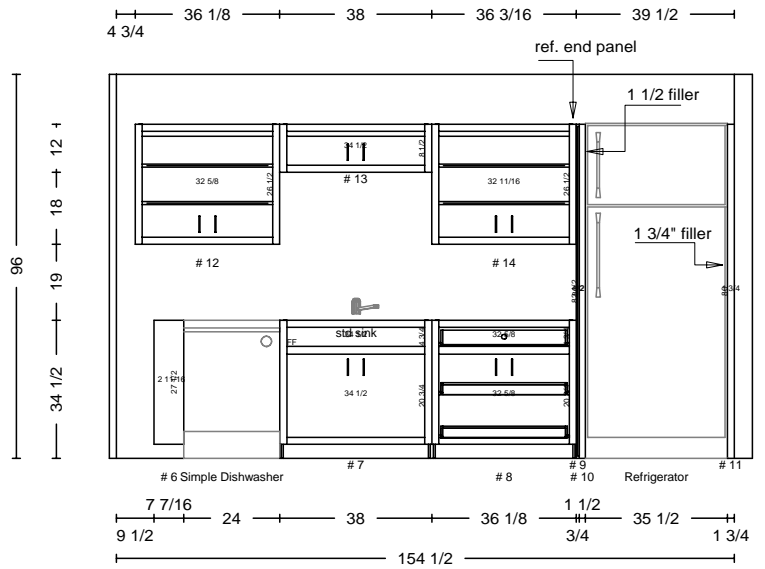
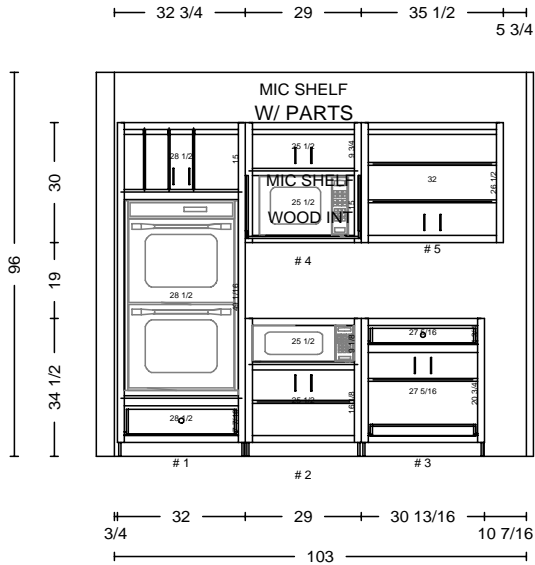


DATE	RAY 7.27.04		FRAMES
JOB #	<h1>THARP CABINET ORDER</h1>		
Sheet 1 of 5			

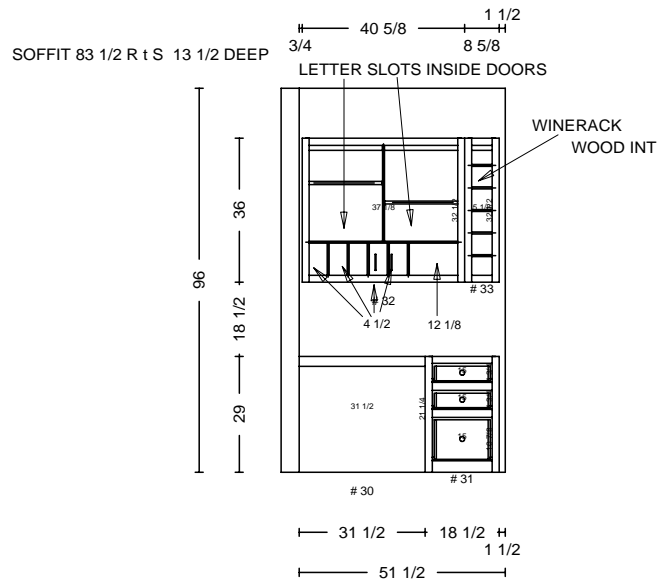
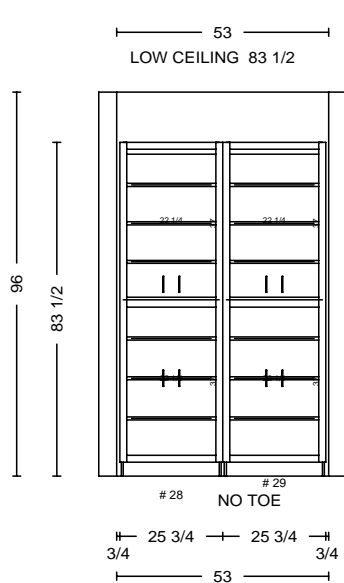
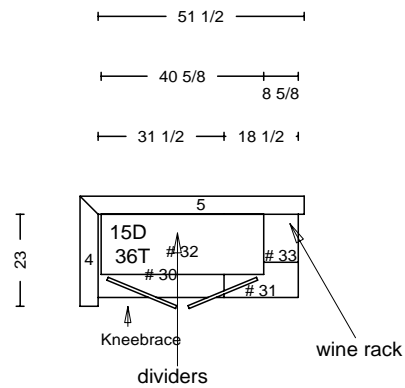
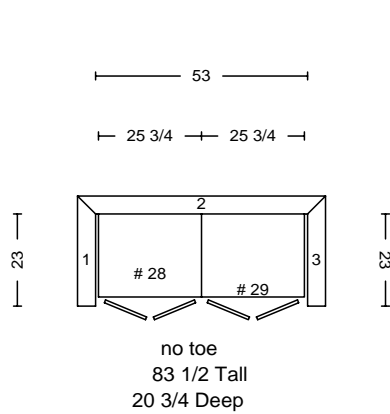
Description ROBERT & DENISE WHITTAKER Address 33557 ALTA VISTA DR, EVERGREEN			
Name 303-670-1942	WOOD ALDER	SOFFIT	80 3/4" - 83 1/4"
Phone 303-670-1942	STAIN GP	DOOR	REVERE: IE1, OE2
Contact DENISE	EDGE N/A	DRAWER	STD: SQUARE 1/8" RO
UPPERS 30"	TOPS GRANITE 3CM	FINGERPULLS	YES
INSTALL THARP	DELIVER	FLOORS OAK EXISTING	HINGE CUSTOM 1 1/4



DATE	<h1>THARP CABINET ORDER</h1>			FRAMES	
JOB #					
Sheet 2 of 5					
Description ROBERT & DENISE WHITTAKER Address 33557 ALTA VISTA DR, EVERGREEN					
Name 303-670-1942		WOOD	SOFFIT		
Phone 303-670-1942		STAIN	DOOR		
Contact DENISE		EDGE	DRAWER		
UPPERS		TOPS	FINGERPULLS		
INSTALL	DELIVER	FLOORS	HINGE		

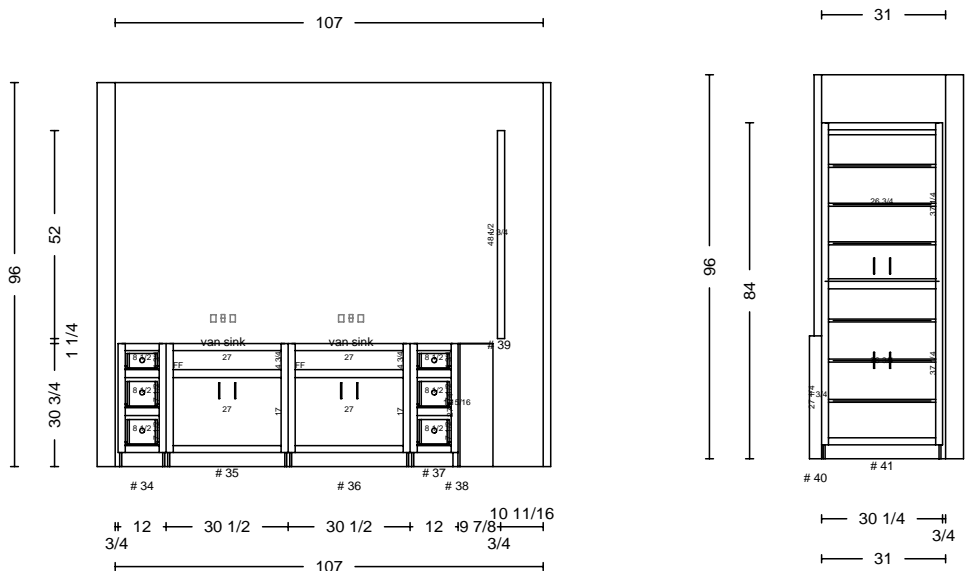
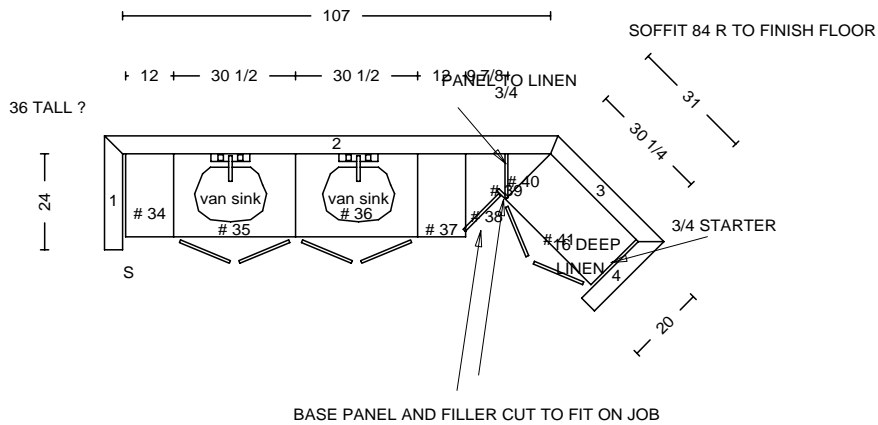


DATE	<h1>THARP CABINET ORDER</h1>			FRAMES	
JOB #					
Sheet 3 of 5					
Description ROBERT & DENISE WHITTAKER Address 33557 ALTA VISTA DR, EVERGREEN					
Name 303-670-1942		WOOD	SOFFIT		
Phone 303-670-1942		STAIN	DOOR		
Contact DENISE		EDGE	DRAWER		
UPPERS		TOPS	FINGERPULLS		
INSTALL	DELIVER	FLOORS		HINGE	



DATE	<h1>THARP CABINET ORDER</h1>			FRAMES	
JOB #					
Sheet 4 of 5					
Description ROBERT & DENISE WHITTAKER Address 33557 ALTA VISTA DR, EVERGREEN					
Name 303-670-1942		WOOD	SOFFIT		
Phone 303-670-1942		STAIN	DOOR		
Contact DENISE		EDGE	DRAWER		
UPPERS		TOPS	FINGERPULLS		
INSTALL	DELIVER	FLOORS	HINGE		

GUEST
MAIN FLOOR BATH



DATE	<h1>THARP CABINET ORDER</h1>			FRAMES	
JOB #					
Sheet 5 of 5					
Description ROBERT & DENISE WHITTAKER Address 33557 ALTA VISTA DR, EVERGREEN					
Name 303-670-1942		WOOD	SOFFIT		
Phone 303-670-1942		STAIN	DOOR		
Contact DENISE		EDGE	DRAWER		
UPPERS		TOPS	FINGERPULLS		
INSTALL	DELIVER	FLOORS		HINGE	

BOYS BATH UPSTAIRS

