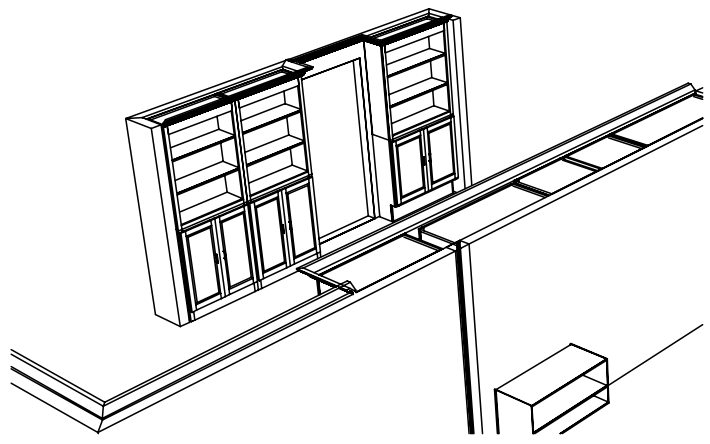
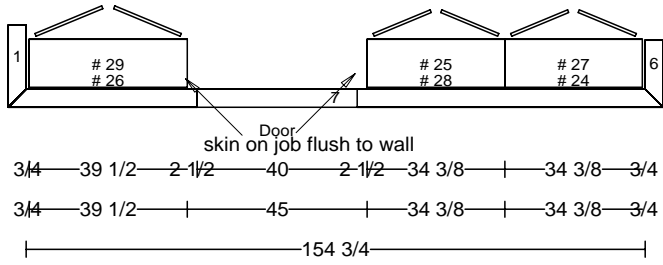
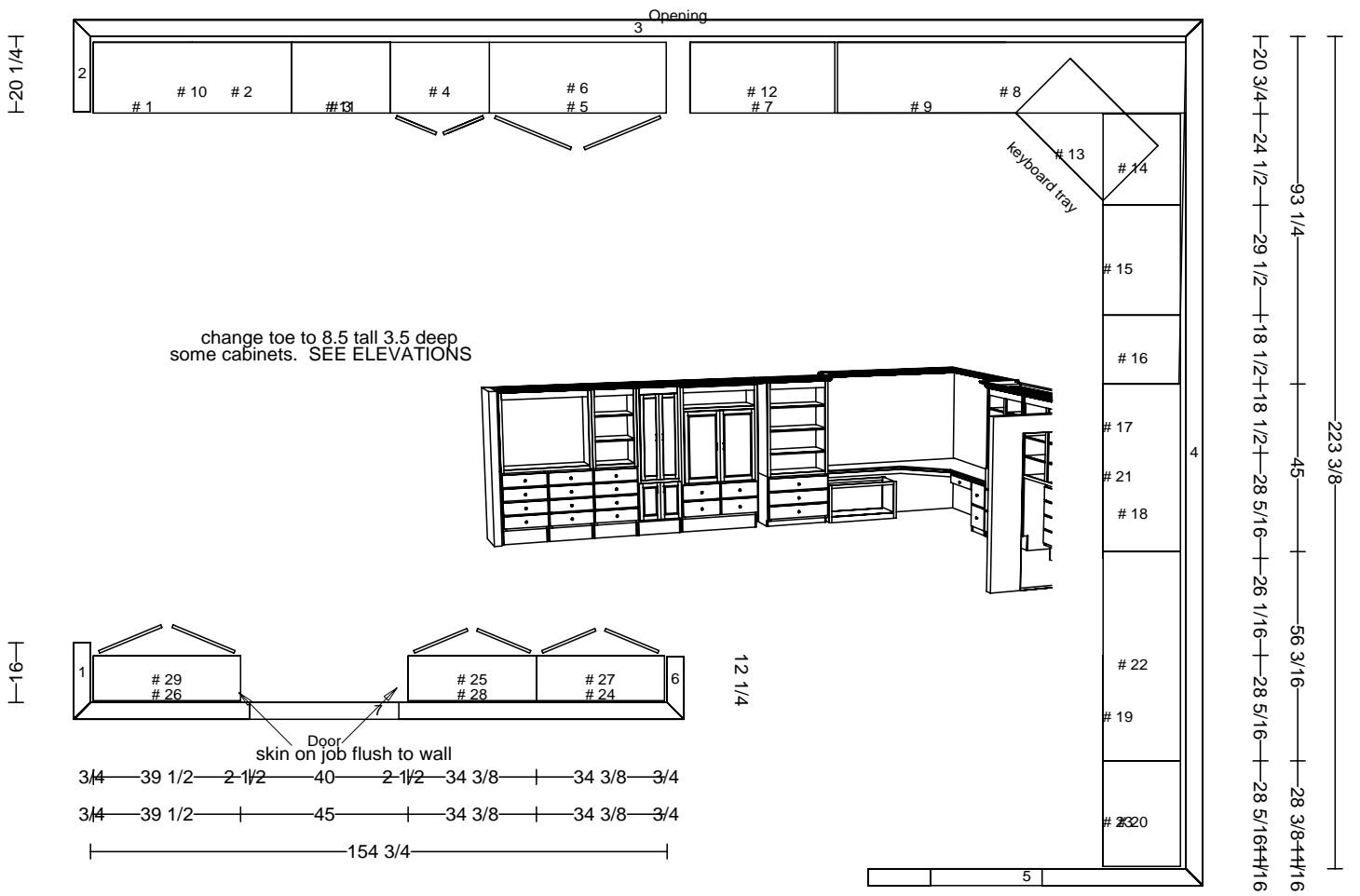
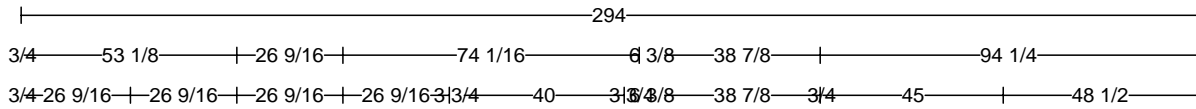
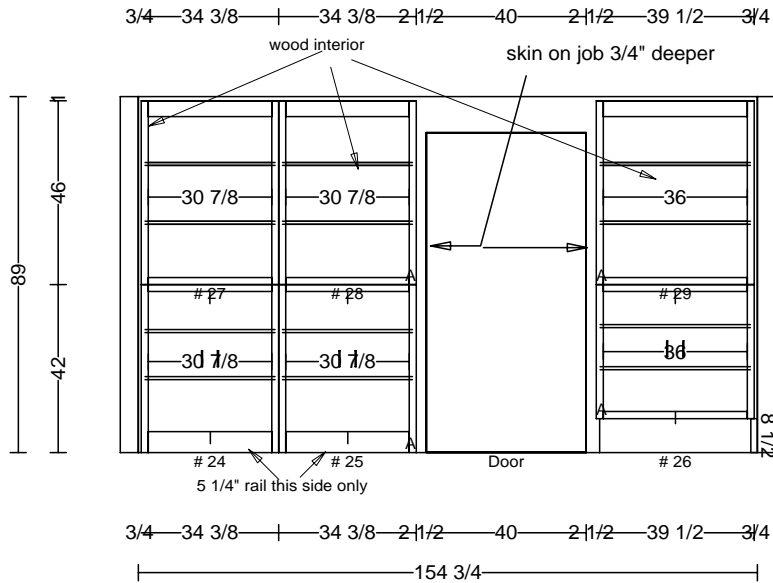
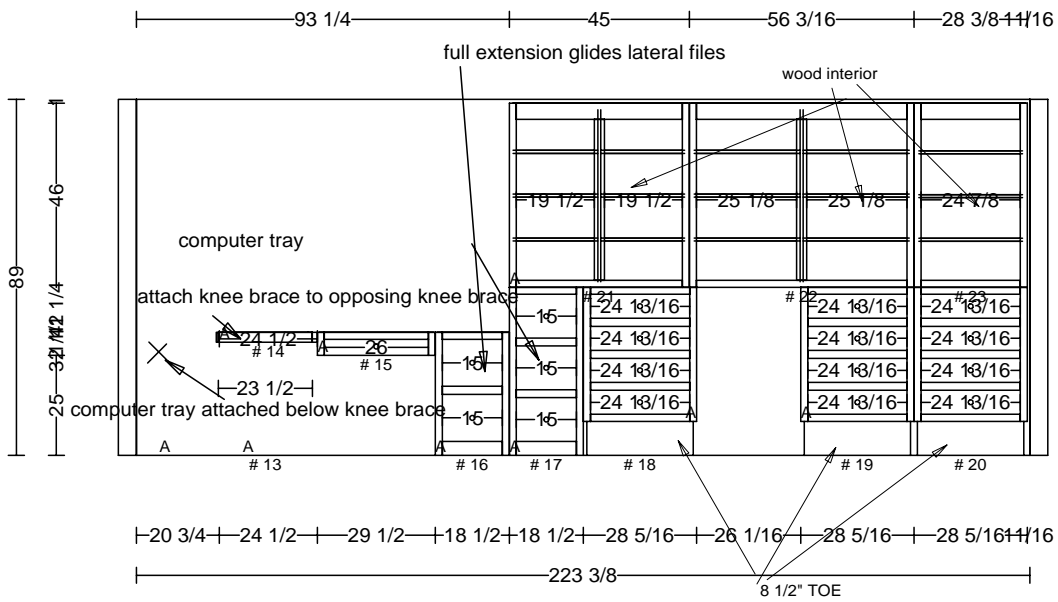


DATE	<h1>THARP CABINET ORDER</h1>	FRAMES	
JOB #			
Sheet 1 of 4			
Description Swan		Address 208 Gerry Dr. Loveland CO	
Name Kay Saelens	WOOD:	SOFFIT:	
Phone 593-8034	STAIN:	DOOR STYLE	
Contact Ed Swan	EDGE:	HINGE:	
UPPERS:	TOPS:	FLOORS:	





DATE	<h1>THARP CABINET ORDER</h1>		FRAMES
JOB #			
Sheet 3 of 4			
Description Swan		Address 208 Gerry Dr. Loveland CO	
Name Kay Saelens		WOOD:	SOFFIT:
Phone 593-8034		STAIN:	DOOR STYLE
Contact Ed Swan		EDGE:	HINGE:
UPPERS:	TOPS:	FLOORS:	



DATE	<h1>THARP CABINET ORDER</h1>		FRAMES	
JOB #				
Sheet 4 of 4				
Description Swan		Address 208 Gerry Dr. Loveland CO		
Name Kay Saelens		WOOD:	SOFFIT:	
Phone 593-8034		STAIN:	DOOR STYLE	
Contact Ed Swan		EDGE:	HINGE:	
UPPERS:	TOPS:	FLOORS:		

