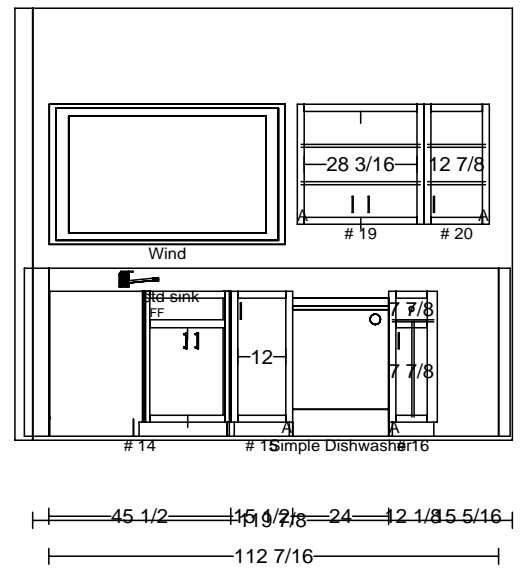
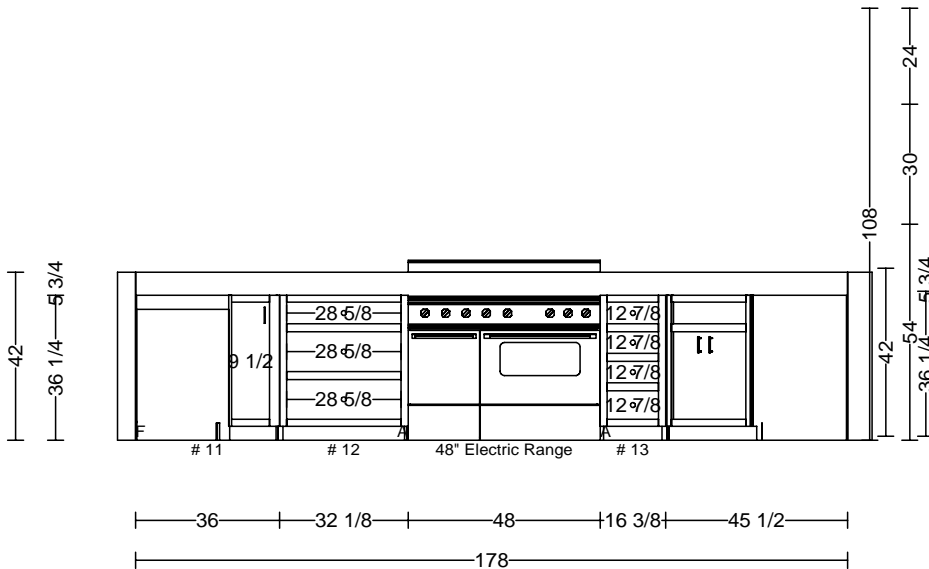
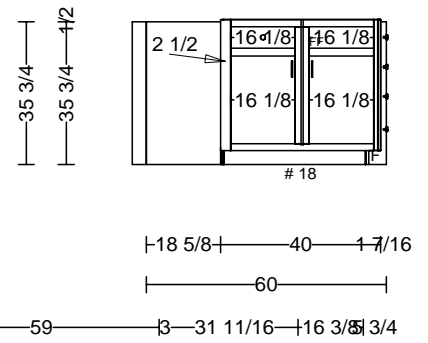
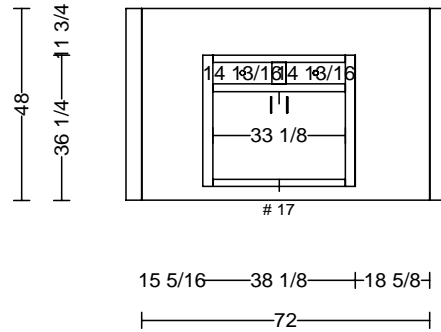
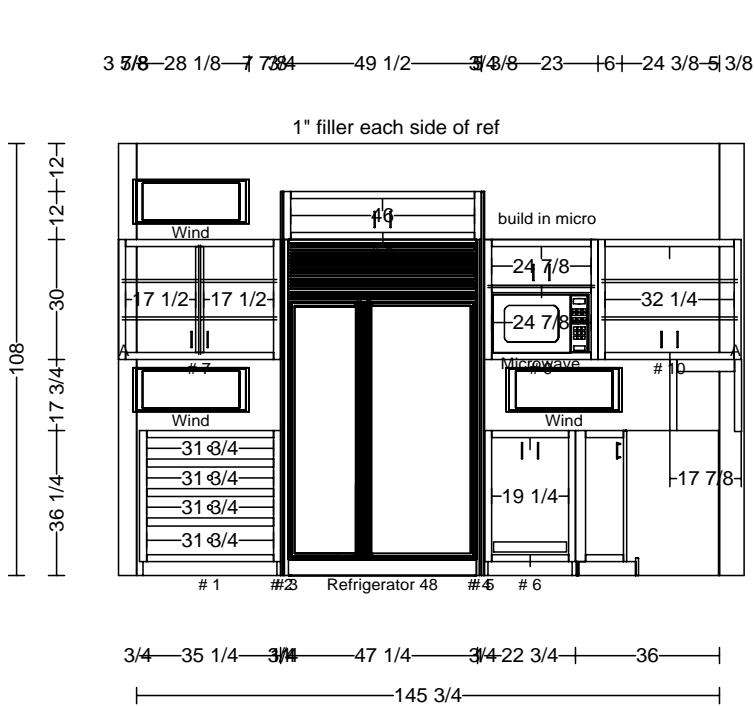
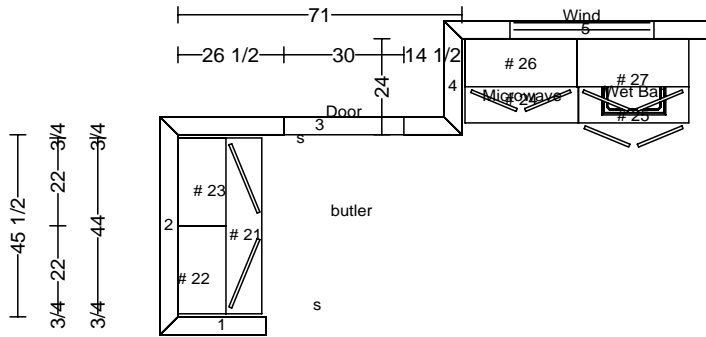


DATE	<h1>THARP CABINET ORDER</h1>		FRAMES
JOB #			
Sheet 2 of 7			
Description RON RUDKIN		Address 811 HILLDALE DR, FT C	
Name		WOOD:	SOFFIT
Phone 224 3332		STAIN:	DOOR STYLE
Contact		EDGE:	HINGE:
UPPERS:	TOPS:	FLOORS:	
INSTALL (THARP/SELF):		CUSTOMER PICK-UP (YES/NO):	

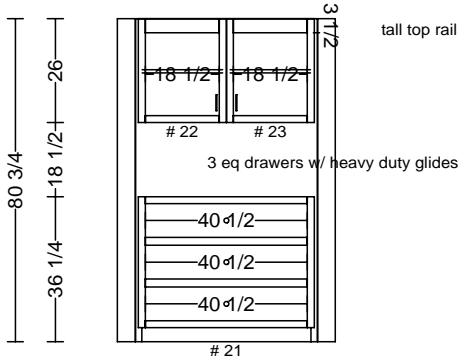


DATE	<h1>THARP CABINET ORDER</h1>		FRAMES
JOB #			
Sheet 3 of 7			
Description RON RUDKIN		Address 811 HILLDALE DR, FT C	
Name	WOOD:	SOFFIT	
Phone 224 3332	STAIN:	DOOR STYLE	
Contact	EDGE:	HINGE:	
UPPERS:	TOPS:	FLOORS:	
INSTALL (THARP/SELF):	CUSTOMER PICK-UP (YES/NO):		

┌────────── 62 ─────────┐
 2 7/8 24 1/2 7 5/8 16 11 1/2
 3/4 28 28 5 1/4
 3/4 28 3/8 27 5/8 5 1/4

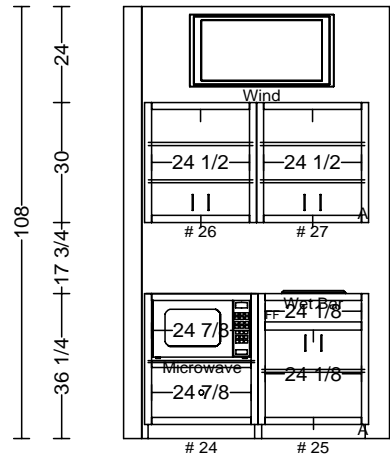


┌────────── 22 ─────────┐
 3/4 22 22 3/4
 3/4 1/4 16 3/4 19 1/4 3 5/4 1/4



3/4 44 3/4
 ┌────────── 45 1/2 ─────────┐

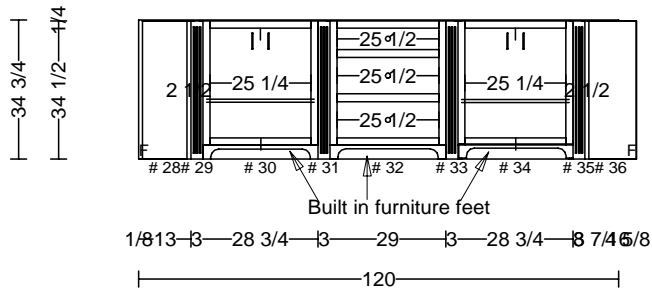
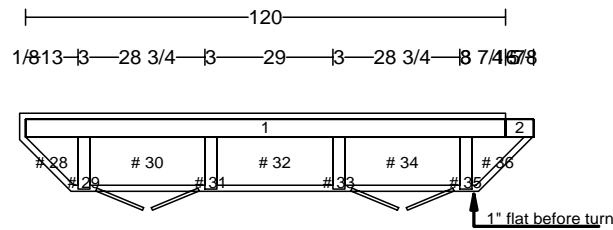
wood: maple
 door: vermont
 stain: natural
 drawer: 5 piece
 top: no sub-deck



3/4 28 3/8 27 5/8 5 1/4
 ┌────────── 62 ─────────┐

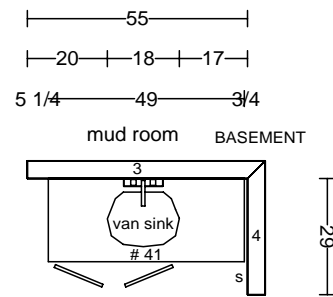
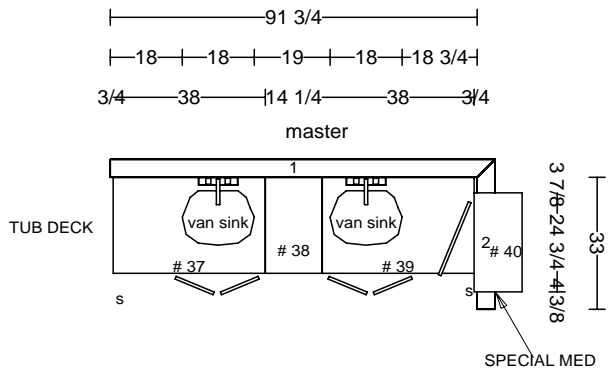
DATE	<h1>THARP CABINET ORDER</h1>		FRAMES
JOB #			
Sheet 4 of 7			
Description RON RUDKIN	Address 811 HILLDALE DR, FT C		
Name	WOOD:	SOFFIT	
Phone 224 3332	STAIN:	DOOR STYLE	
Contact	EDGE:	HINGE:	
UPPERS:	TOPS:	FLOORS:	
INSTALL (THARP/SELF):	CUSTOMER PICK-UP (YES/NO):		

DINING ROOM



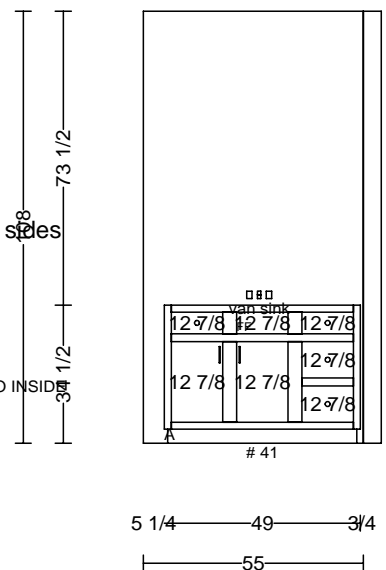
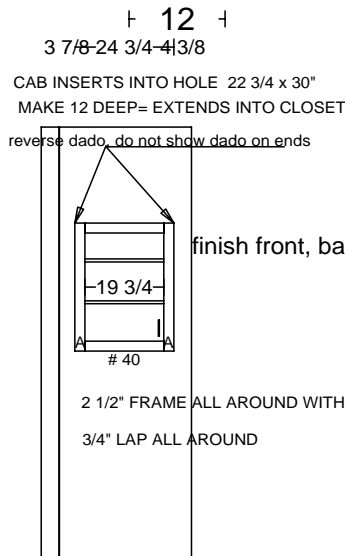
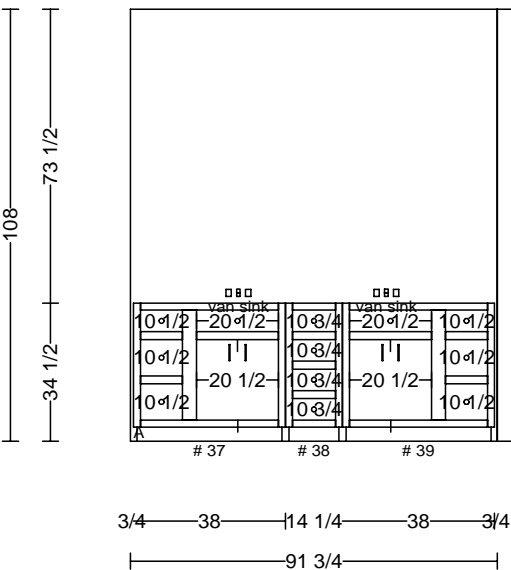
wood: cherry
door: vermont
stain: natural
drawer: 5 piece
top: no sub-deck

DATE	<h1>THARP CABINET ORDER</h1>		FRAMES
JOB #			
Sheet 5 of 7			
Description RON RUDKIN		Address 811 HILLDALE DR, FT C	
Name	WOOD:	SOFFIT	
Phone 224 3332	STAIN:	DOOR STYLE	
Contact	EDGE:	HINGE:	
UPPERS:	TOPS:	FLOORS:	
INSTALL (THARP/SELF):		CUSTOMER PICK-UP (YES/NO):	

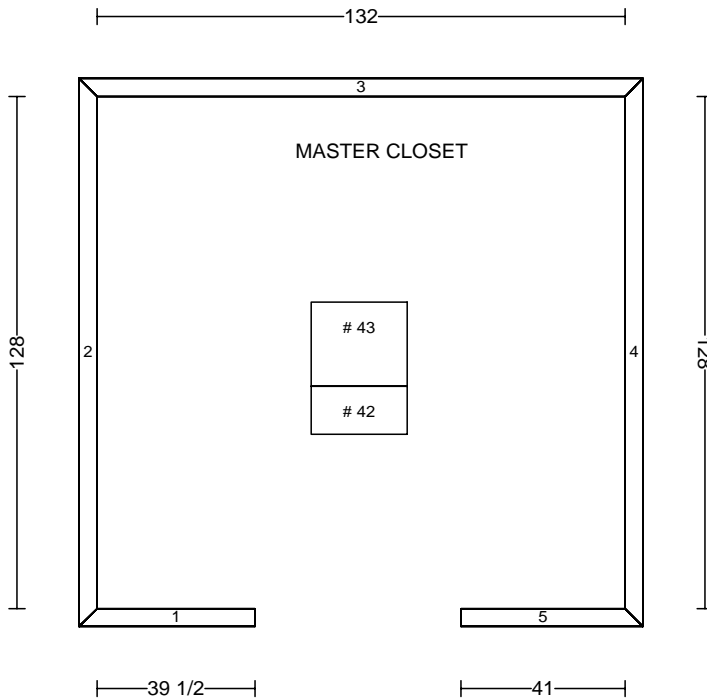


Wood: cherry
 Door: vermont
 stain: natural
 drawer: 5 piece
 top: no sub-deck

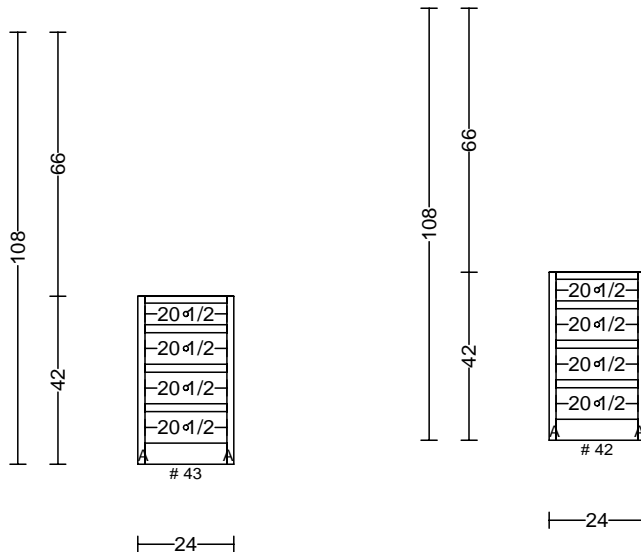
wood: hickory
 door: revere
 stain: natural
 drawer: 5piece
 top: plastic lam
 sub-deck yes



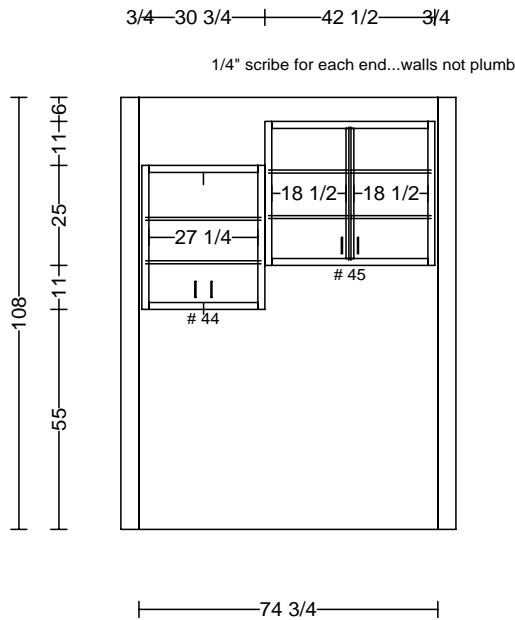
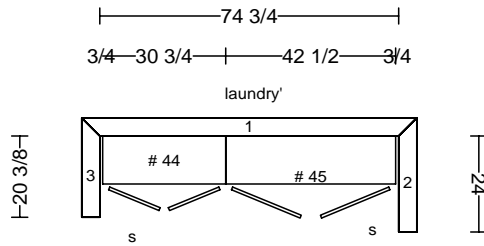
DATE	<h1>THARP CABINET ORDER</h1>		FRAMES
JOB #			
Sheet 6 of 7			
Description RON RUDKIN		Address 811 HILLDALE DR, FT C	
Name	WOOD:	SOFFIT	
Phone 224 3332	STAIN:	DOOR STYLE	
Contact	EDGE:	HINGE:	
UPPERS:	TOPS:	FLOORS:	
INSTALL (THARP/SELF):		CUSTOMER PICK-UP (YES/NO):	



wood: cherry
door: vermont
stain: natural
drawer: 5 piece
Top: granite



DATE	<h1>THARP CABINET ORDER</h1>		FRAMES	
JOB #				
Sheet 7 of 7				
Description RON RUDKIN		Address 811 HILLDALE DR, FT C		
Name	WOOD:	SOFFIT		
Phone 224 3332	STAIN:	DOOR STYLE		
Contact	EDGE:	HINGE:		
UPPERS:	TOPS:	FLOORS:		
INSTALL (THARP/SELF):		CUSTOMER PICK-UP (YES/NO):		



wood: oak
 stain: natural
 door: reverse