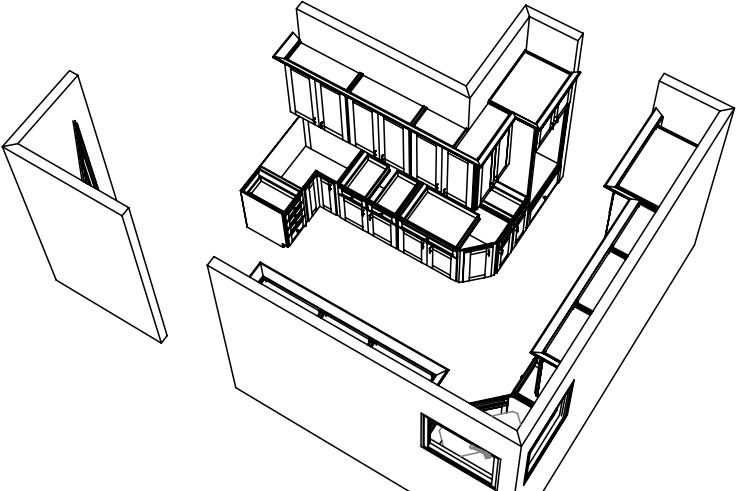
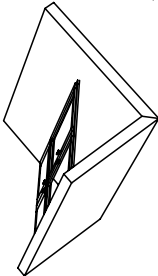
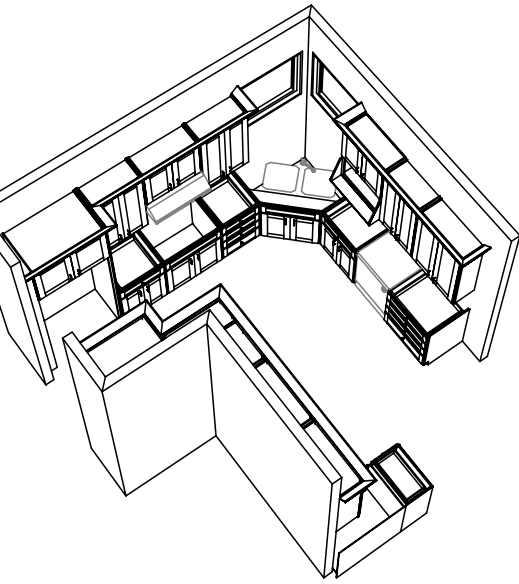
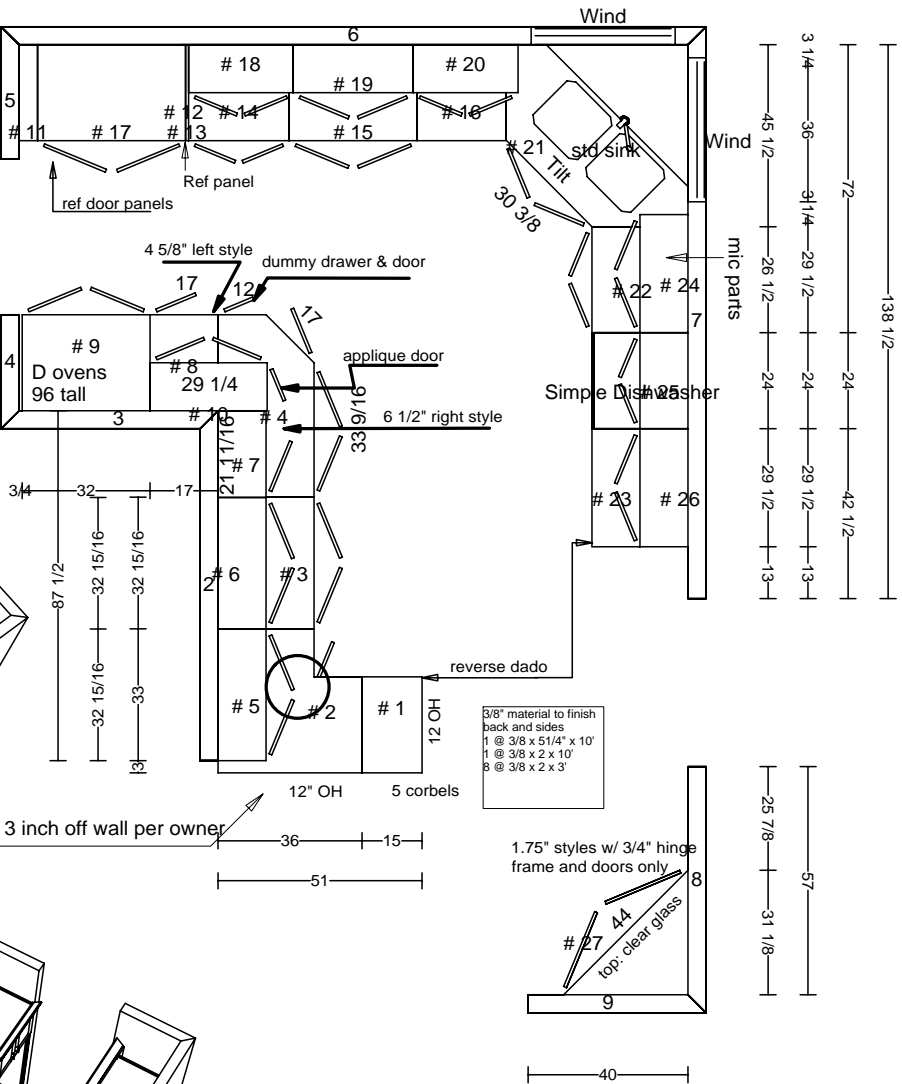
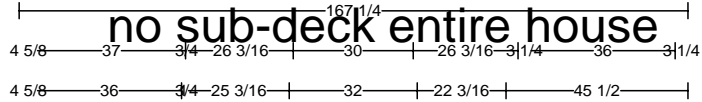
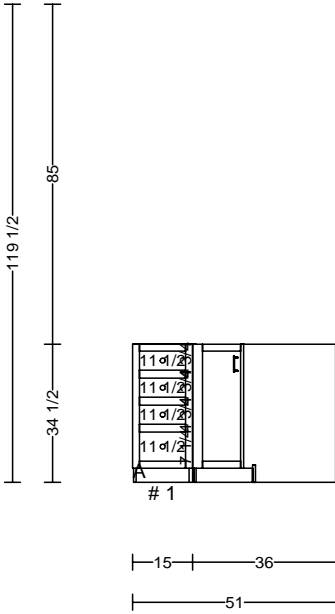
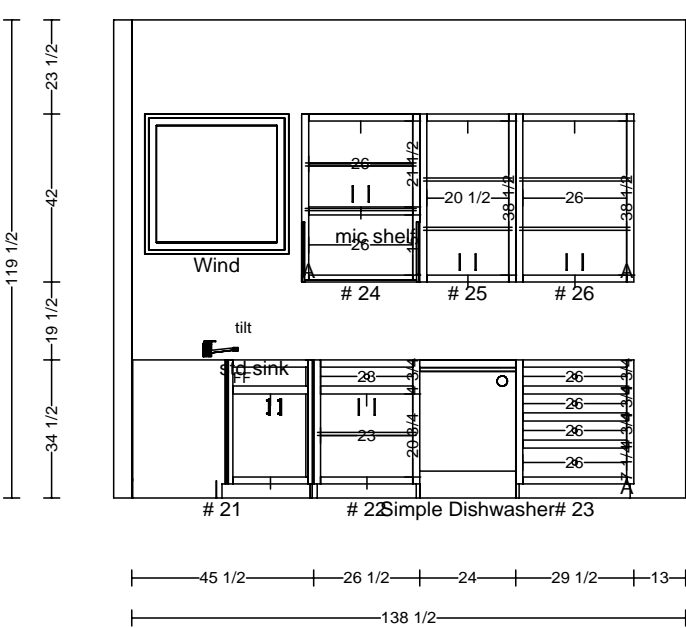
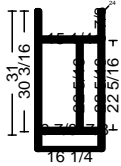
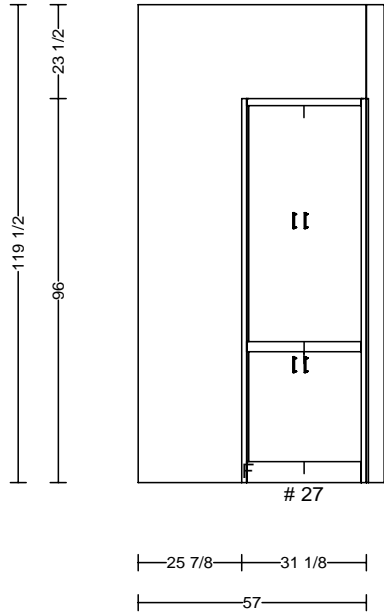
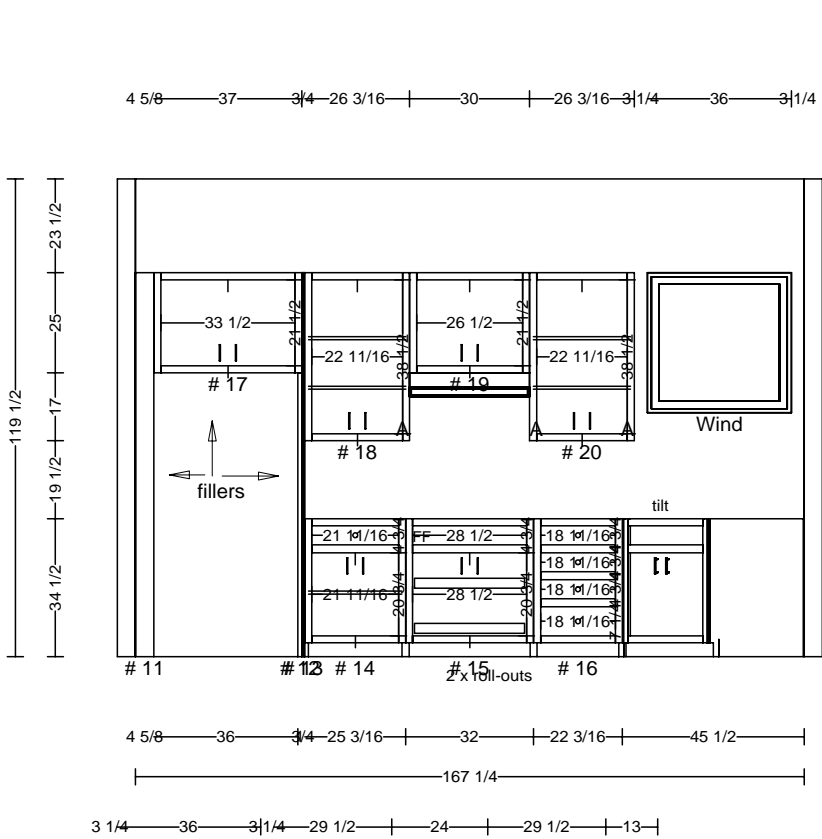


DATE	ray 11.24.03		FRAMES
JOB #	<h1>THARP CABINET ORDER</h1>		
Sheet 1 of 6			
Description Pichi new Residence			Address 5667 Dakota Ct., Wellington
Name Bob Pichi	WOOD: Cherry	SOFFIT No 119 1/2 ceiling	
Phone 224-5581	STAIN: natural	DOOR STYLE durango	
Contact Bob	EDGE:	HINGE: 1 1/4 euro	
UPPERS: 42	TOPS:	FLOORS: tile or wood	
INSTALL (THARP/SELF): self		CUSTOMER PICK-UP (YES/NO): no	

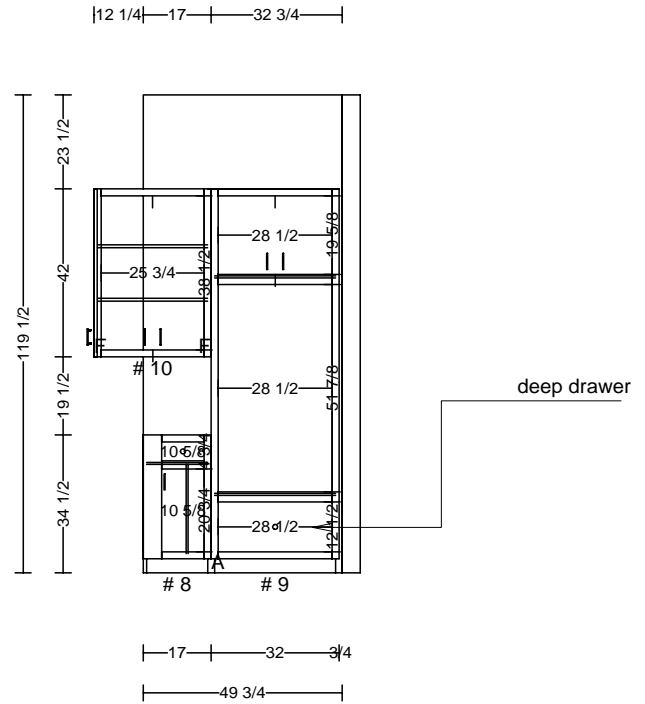
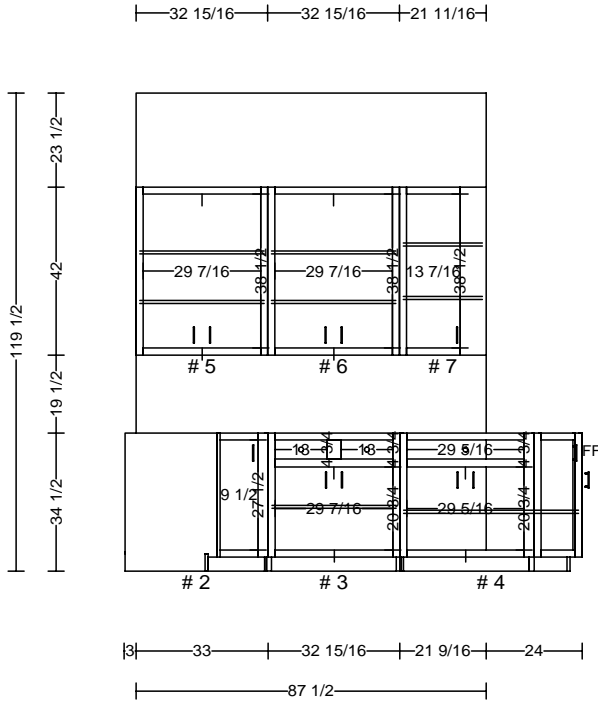
This Room
 3 5/8 crown
 Matching drawer fronts
 std openings



DATE	<h1>THARP CABINET ORDER</h1>		FRAMES
JOB #			
Sheet 2 of 6			
Description Pichi new Residence		Address 5667 Dakota Ct., Wellington	
Name Bob Pichi	WOOD:	SOFFIT	
Phone 224-5581	STAIN:	DOOR STYLE	
Contact Bob	EDGE:	HINGE:	
UPPERS:	TOPS:	FLOORS:	

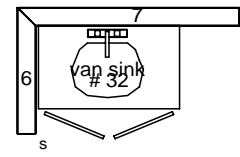
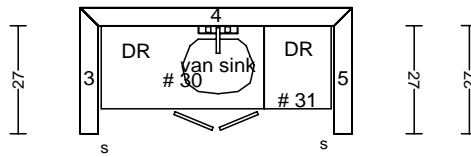
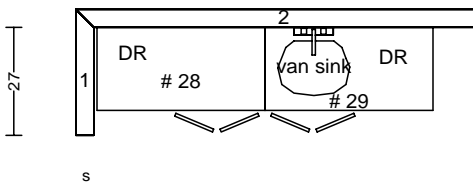
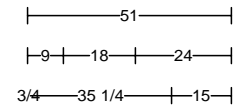
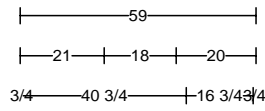
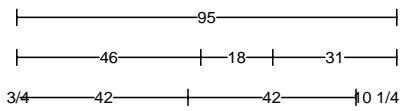


DATE	<h1>THARP CABINET ORDER</h1>		FRAMES
JOB #			
Sheet 3 of 6			
Description Pichi new Residence		Address 5667 Dakota Ct., Wellington	
Name Bob Pichi		WOOD:	SOFFIT
Phone 224-5581		STAIN:	DOOR STYLE
Contact Bob		EDGE:	HINGE:
UPPERS:	TOPS:	FLOORS:	



DATE	<h1>THARP CABINET ORDER</h1>		FRAMES	
JOB #				
Sheet 4 of 6				
Description Pichi new Residence		Address 5667 Dakota Ct., Wellington		
Name Bob Pichi		WOOD:	SOFFIT	
Phone 224-5581		STAIN:	DOOR STYLE	
Contact Bob		EDGE:	HINGE:	
UPPERS:	TOPS:	FLOORS:		

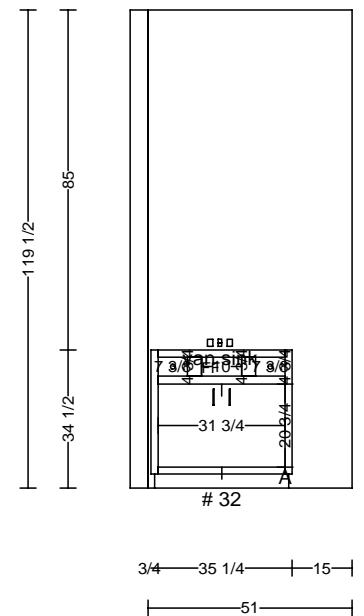
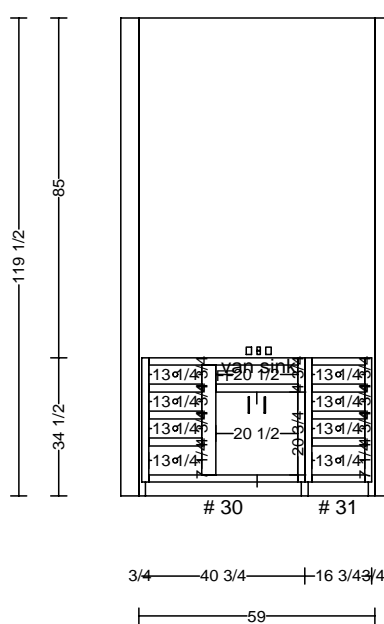
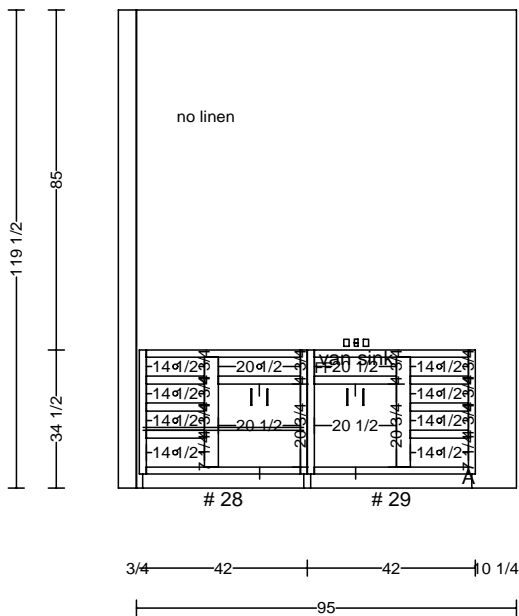
Std drawer fronts



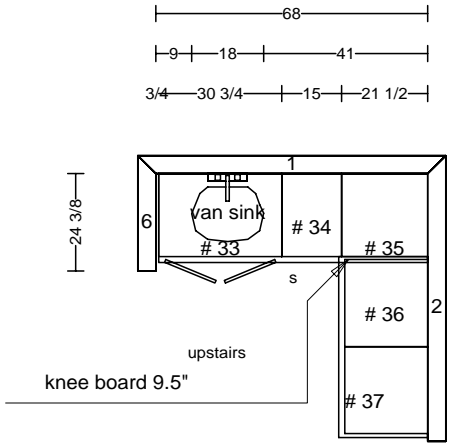
s

master

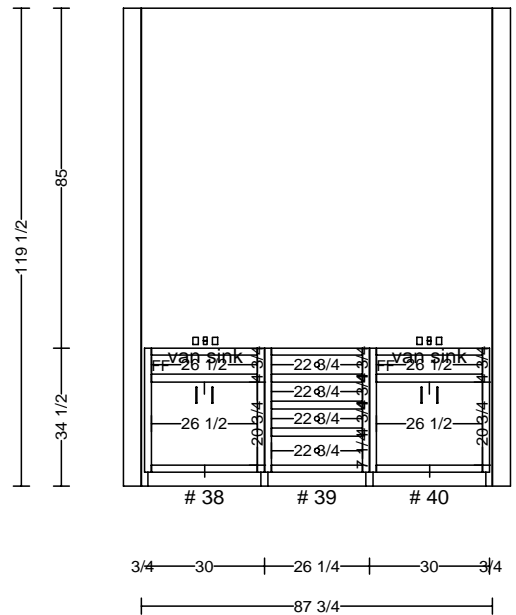
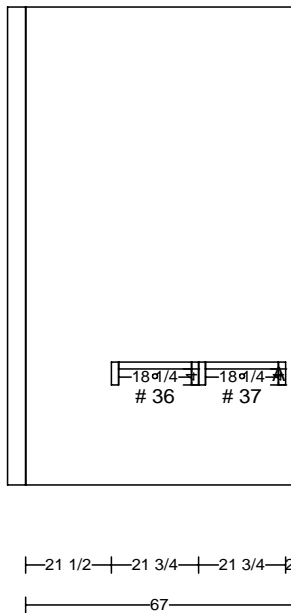
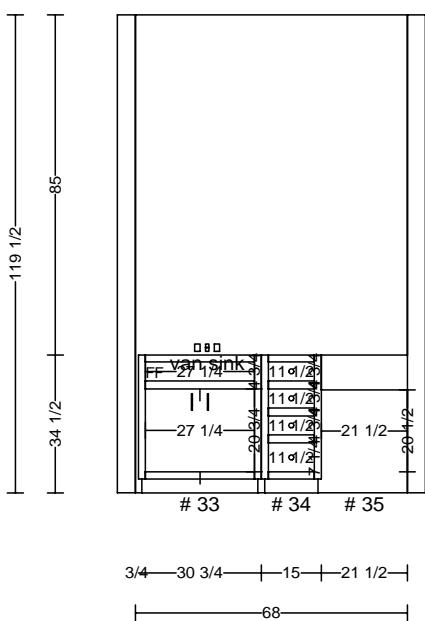
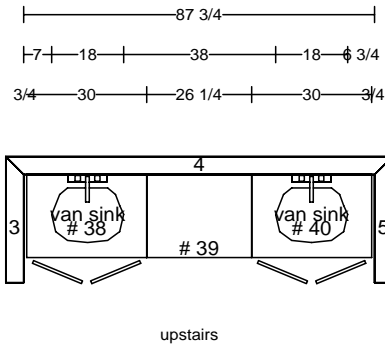
basement



DATE	<h1>THARP CABINET ORDER</h1>		FRAMES	
JOB #				
Sheet 5 of 6				
Description Pichi new Residence		Address 5667 Dakota Ct., Wellington		
Name Bob Pichi		WOOD:	SOFFIT	
Phone 224-5581		STAIN:	DOOR STYLE	
Contact Bob std drawer fronts		EDGE:	HINGE:	
UPPERS:	TOPS:	FLOORS:		



corbel



DATE	<h1>THARP CABINET ORDER</h1>		FRAMES	
JOB #				
Sheet 6 of 6				
Description Pichi new Residence		Address 5667 Dakota Ct., Wellington		
Name Bob Pichi	WOOD:	SOFFIT		
Phone 224-5581	STAIN:	DOOR STYLE		
Contact Bob	EDGE:	HINGE:		
UPPERS:	TOPS:	FLOORS:		
INSTALL (THARP/SELF):		CUSTOMER PICK-UP (YES/NO):		

std drawer fronts

