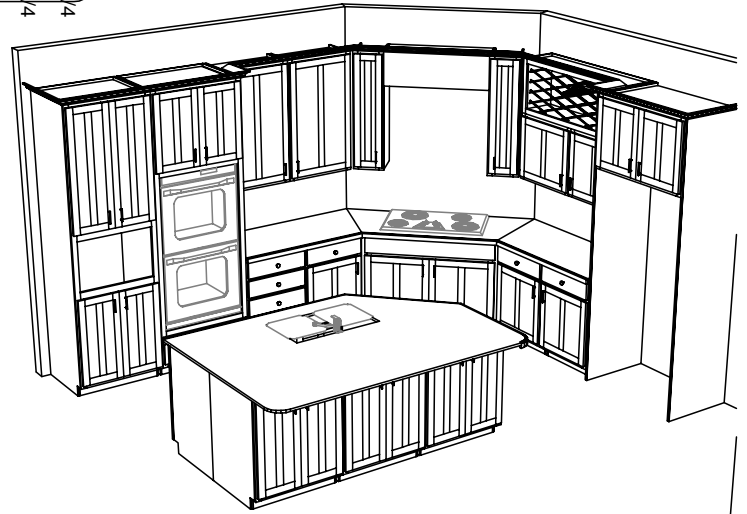
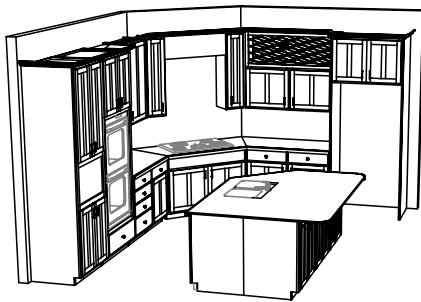
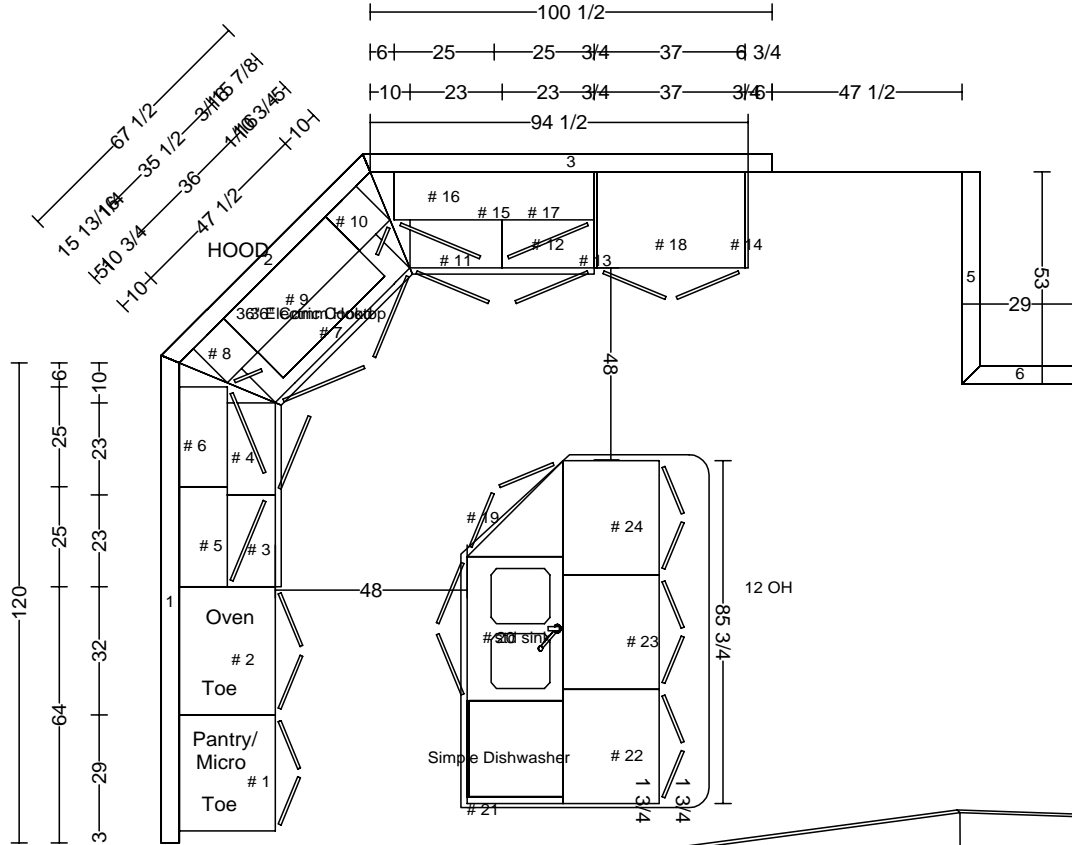
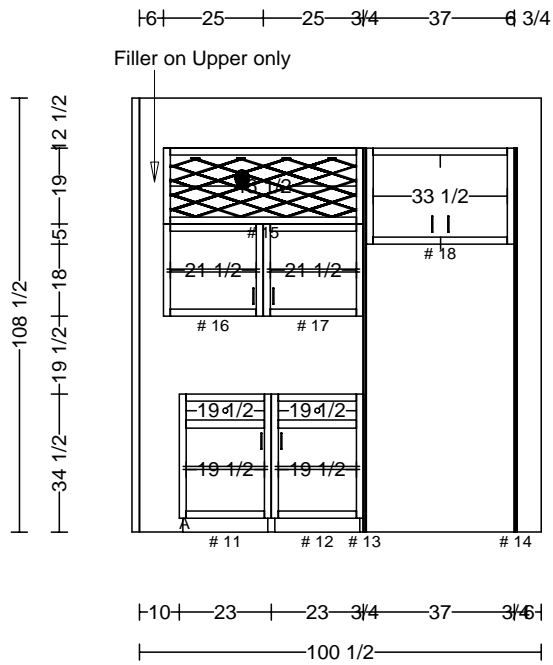
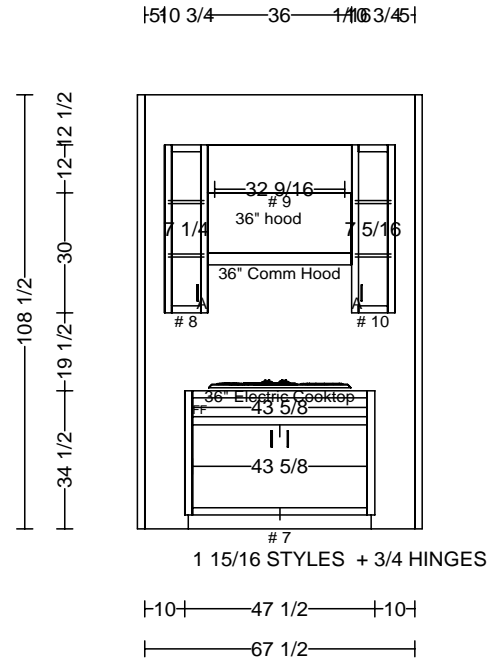
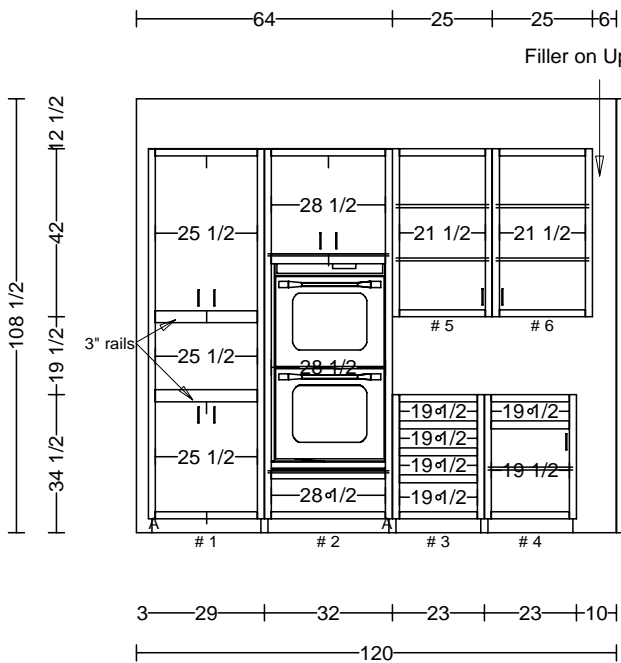


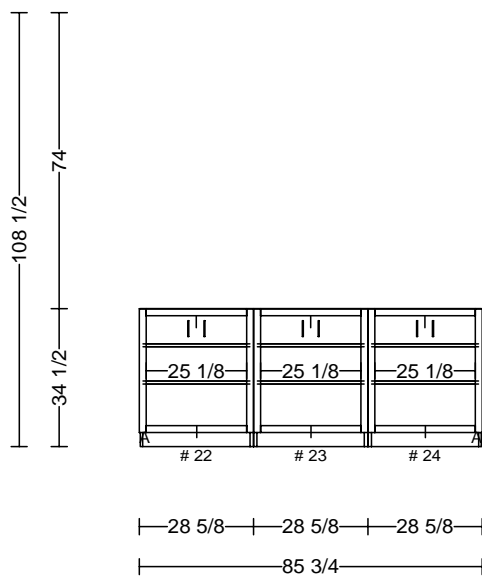
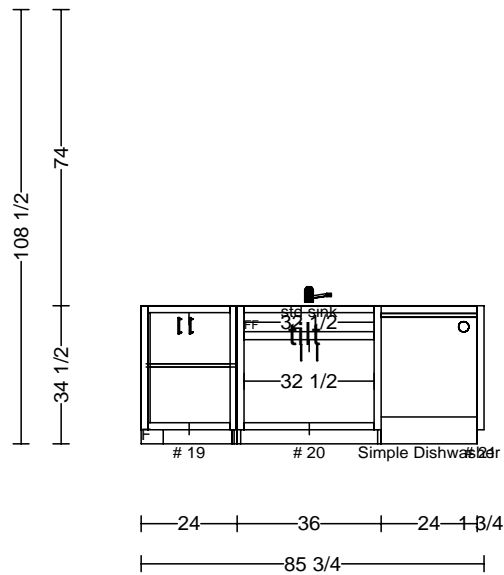
DATE	<h1>THARP CABINET ORDER</h1>		FRAMES	
JOB #				
Sheet 1 of 9				
Description N.C. Commercial		Address 8440 Couer d'Alene, Loveland		
Name Poore residence		WOOD:	SOFFIT	
Phone 223-7797		STAIN:	DOOR STYLE	
Contact Poore		EDGE:	HINGE:	
UPPERS:	TOPS:	FLOORS:		



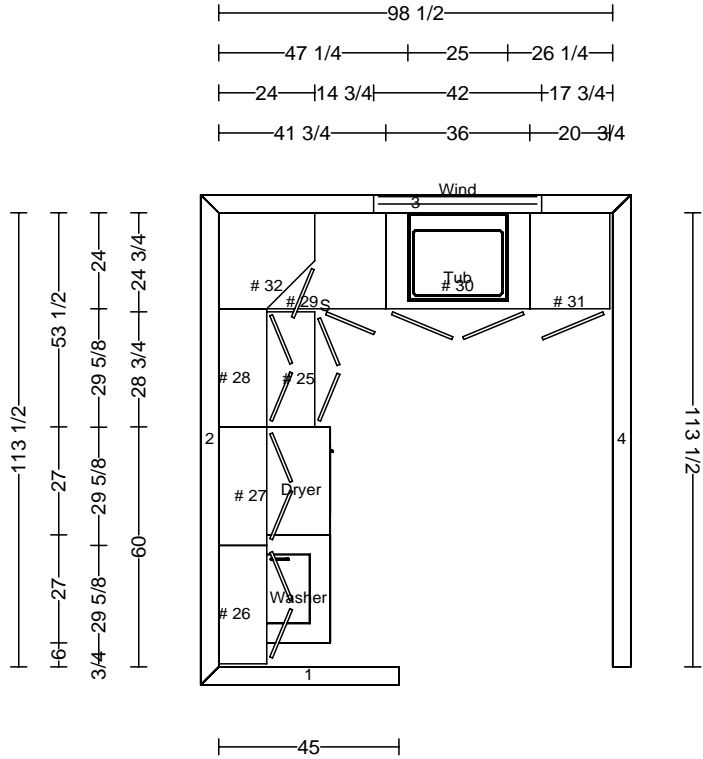
DATE	<h1>THARP CABINET ORDER</h1>		FRAMES
JOB #			
Sheet 2 of 9			
Description N.C. Commercial		Address 8440 Couer d'Alene, Loveland	
Name Poore residence		WOOD:	SOFFIT
Phone 223-7797		STAIN:	DOOR STYLE
Contact Poore		EDGE:	HINGE:
UPPERS:	TOPS:	FLOORS:	



DATE	<h1>THARP CABINET ORDER</h1>	FRAMES	
JOB #			
Sheet 3 of 9			
Description N.C. Commercial		Address 8440 Couer d'Alene, Loveland	
Name Poore residence		WOOD:	SOFFIT
Phone 223-7797		STAIN:	DOOR STYLE
Contact Poore		EDGE:	HINGE:
UPPERS:	TOPS:	FLOORS:	

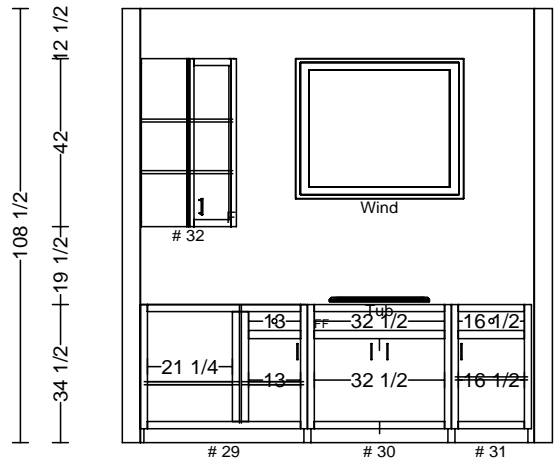
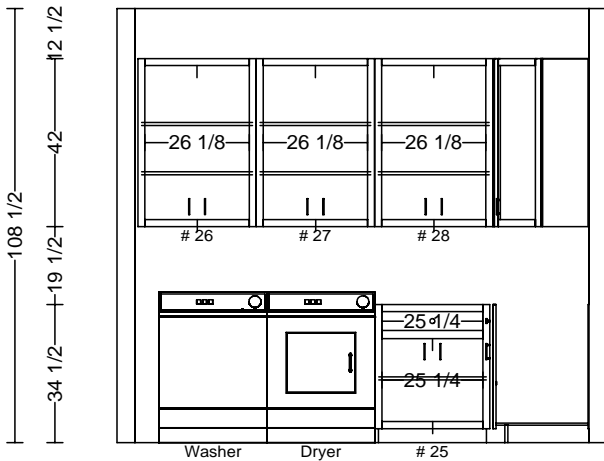


DATE	<h1>THARP CABINET ORDER</h1>		FRAMES
JOB #			
Sheet 4 of 9			
Description N.C. Commercial		Address 8440 Couer d'Alene, Loveland	
Name Poore residence		WOOD:	SOFFIT
Phone 223-7797		STAIN:	DOOR STYLE
Contact Poore		EDGE:	HINGE:
UPPERS:	TOPS:	FLOORS:	



3/4 - 29 5/8 - 29 5/8 - 29 5/8 - 24

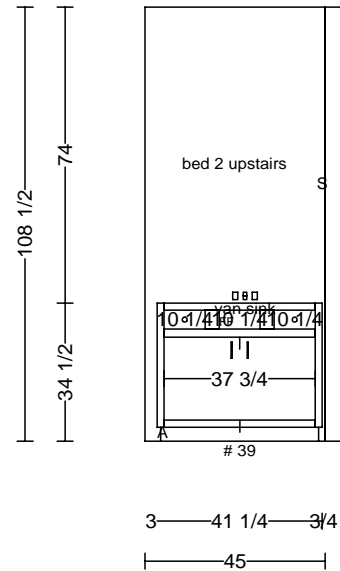
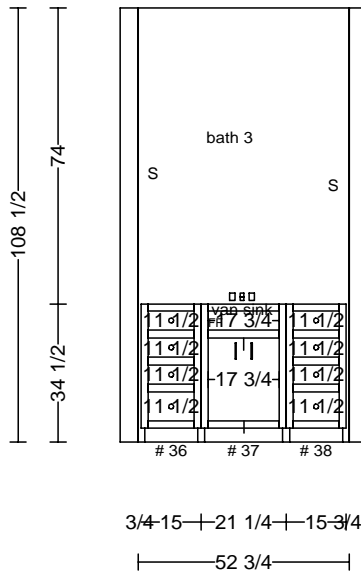
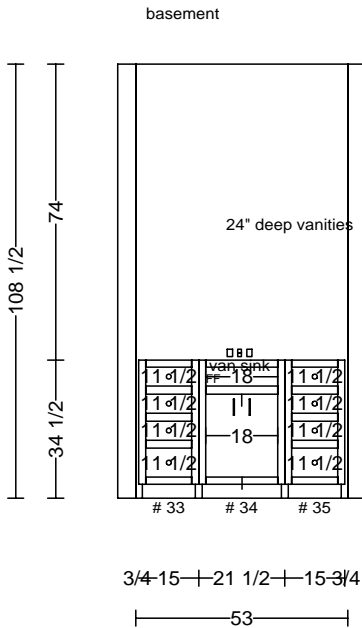
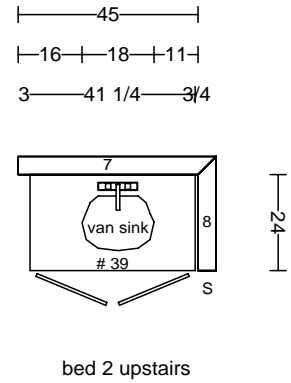
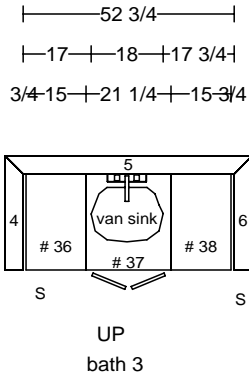
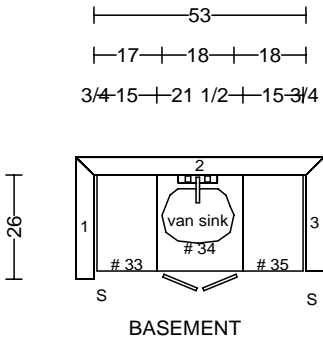
24 - 14 3/4 - 42 - 17 3/4



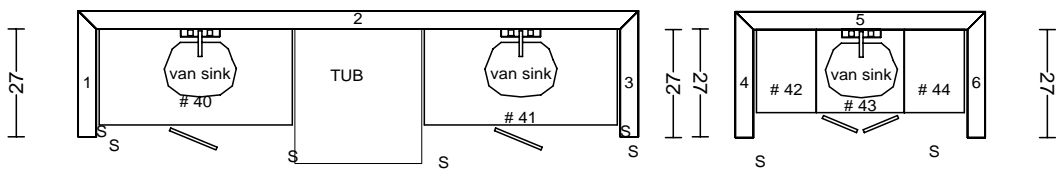
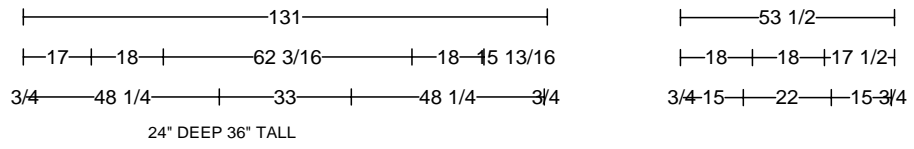
60 - 28 3/4 - 24 3/4  
113 1/2

41 3/4 - 36 - 20 3/4  
98 1/2

DATE	<h1>THARP CABINET ORDER</h1>	FRAMES	
JOB #			
Sheet 5 of 9			
Description N.C. Commercial		Address 8440 Couer d'Alene, Loveland	
Name Poore residence	WOOD:	SOFFIT	
Phone 223-7797	STAIN:	DOOR STYLE	
Contact Poore	EDGE:	HINGE:	
UPPERS:	TOPS:	FLOORS:	

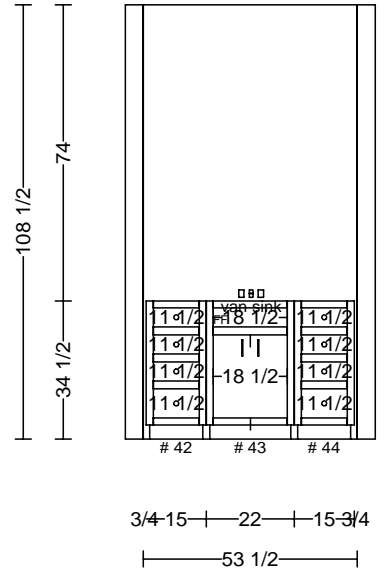
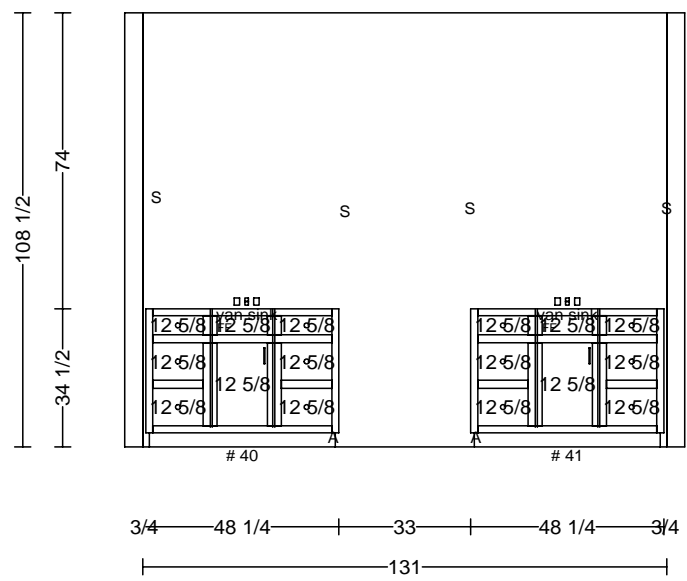


DATE	<h1>THARP CABINET ORDER</h1>	FRAMES	
JOB #			
Sheet 6 of 9			
Description N.C. Commercial		Address 8440 Couer d'Alene, Loveland	
Name Poore residence	WOOD:	SOFFIT	
Phone 223-7797	STAIN:	DOOR STYLE	
Contact Poore	EDGE:	HINGE:	
UPPERS:	TOPS:	FLOORS:	

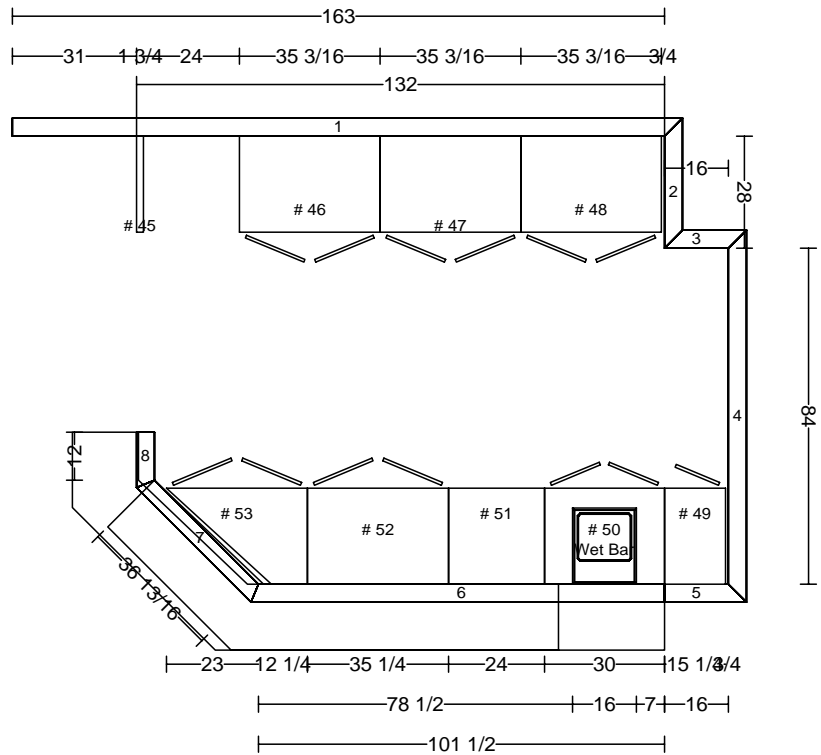


MASTER BATH

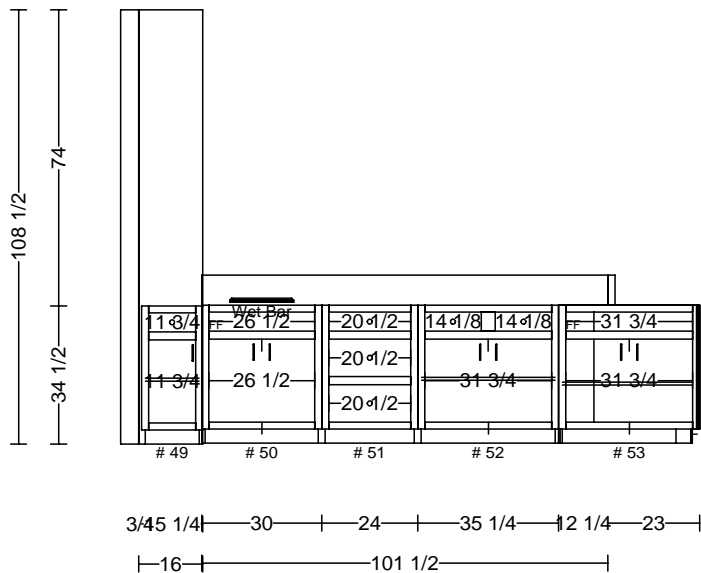
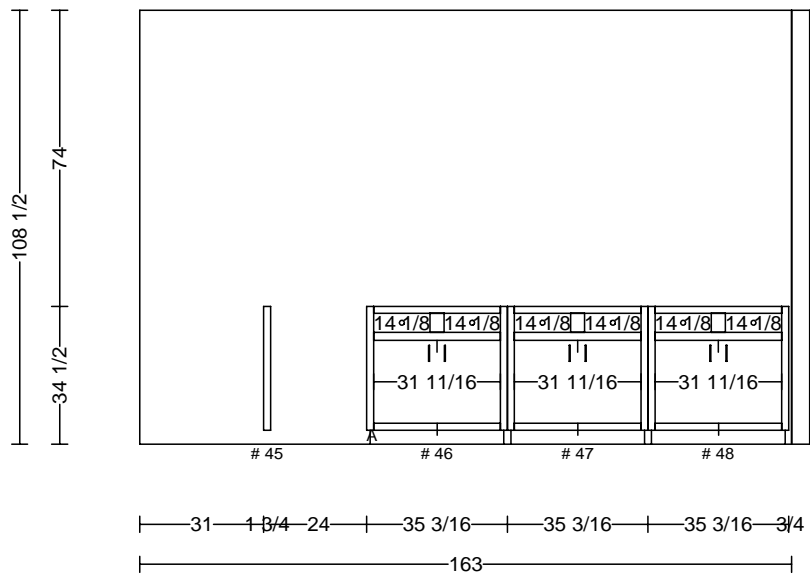
MAIN POWDER



DATE	<h1>THARP CABINET ORDER</h1>		FRAMES	
JOB #				
Sheet 7 of 9				
Description N.C. Commercial		Address 8440 Couer d'Alene, Loveland		
Name Poore residence		WOOD:	SOFFIT	
Phone 223-7797		STAIN:	DOOR STYLE	
Contact Poore		EDGE:	HINGE:	
UPPERS:	TOPS:	FLOORS:		



DATE	<h1>THARP CABINET ORDER</h1>		FRAMES	
JOB #				
Sheet 8 of 9				
Description N.C. Commercial		Address 8440 Couer d'Alene, Loveland		
Name Poore residence		WOOD:	SOFFIT	
Phone 223-7797		STAIN:	DOOR STYLE	
Contact Poore		EDGE:	HINGE:	
UPPERS:	TOPS:	FLOORS:		





DATE	<h1>THARP CABINET ORDER</h1>		FRAMES
JOB #			
Sheet 9 of 9			
Description N.C. Commercial		Address 8440 Couer d'Alene, Loveland	
Name Poore residence		WOOD:	SOFFIT
Phone 223-7797		STAIN:	DOOR STYLE
Contact Poore		EDGE:	HINGE:
UPPERS:	TOPS:	FLOORS:	

