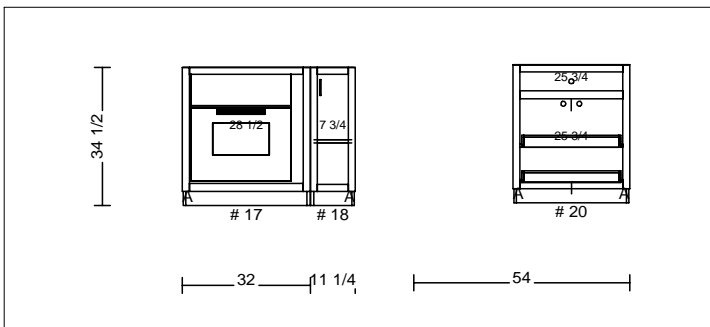
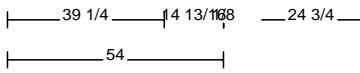
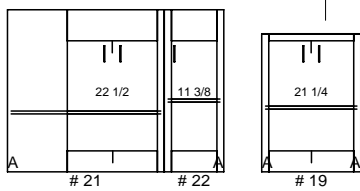
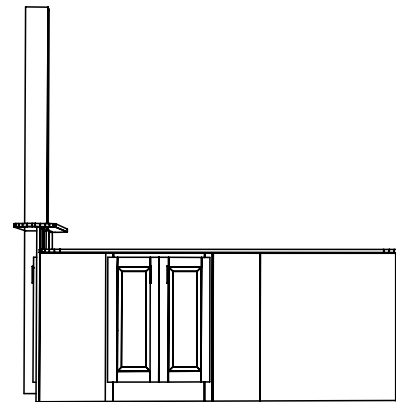
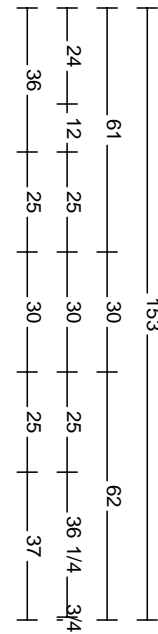
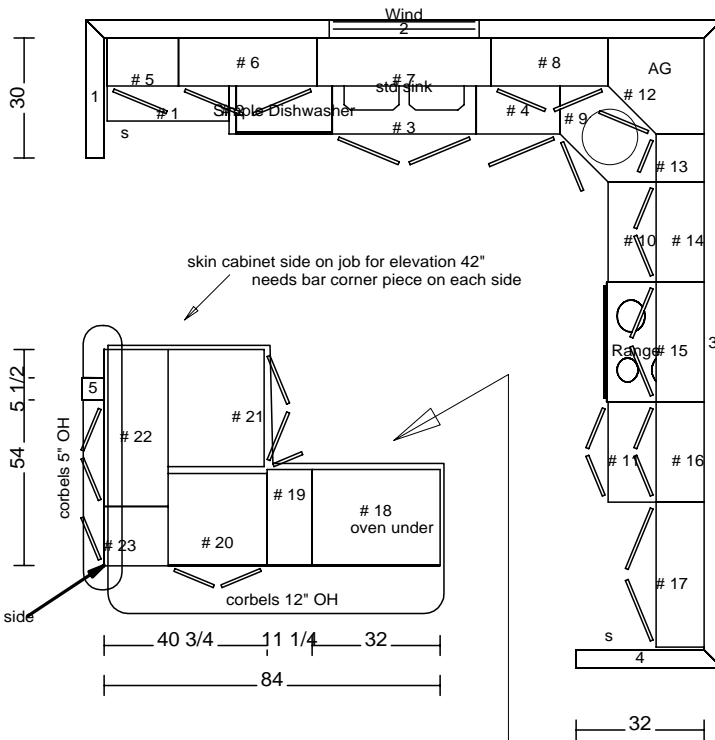
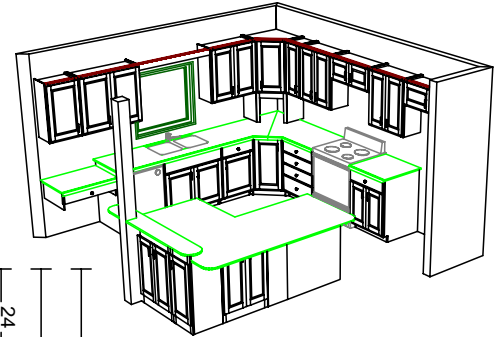
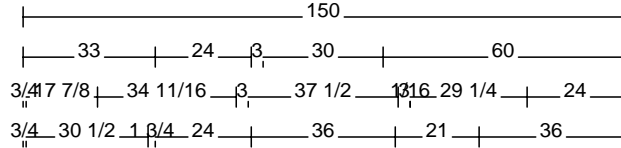
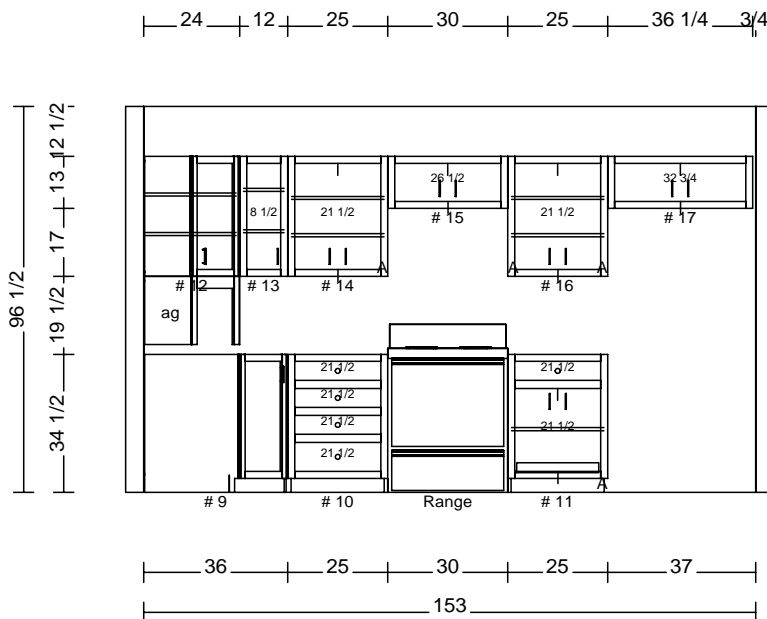
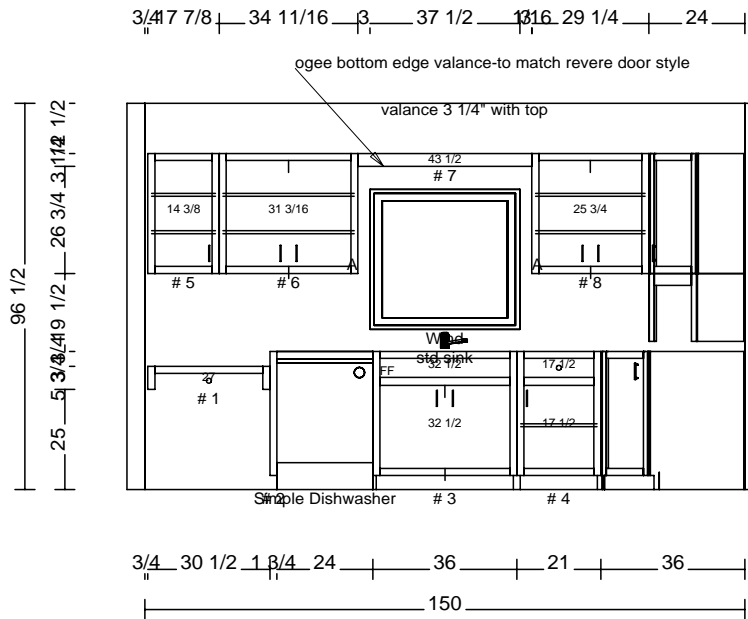


DATE	<div style="float: right;">ray</div> <h1 style="margin: 0;">THARP CABINET ORDER</h1>		FRAMES
JOB #			
Sheet 1 of 5			
Description Mitchell		Address 59 Bobcat Mountain, Livermore, CO	
Name Galen Trabant		WOOD: oak	SOFFIT
Phone 484-9703		STAIN: natural	DOOR STYLE revere
Contact Steve Mitchell		EDGE: none	HINGE: custom 1 1/4
UPPERS: 30"	TOPS: granite kitchen,	FLOORS: tile	

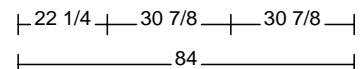
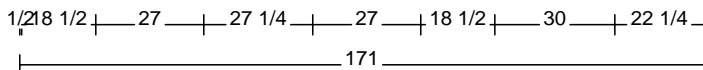
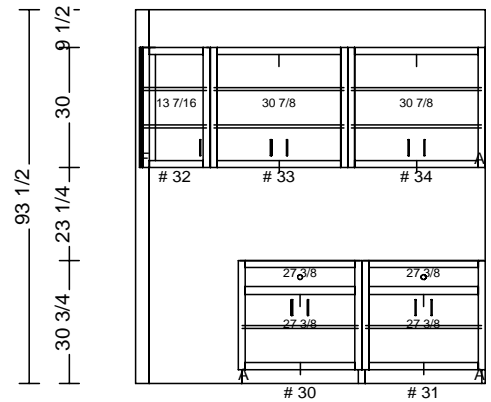
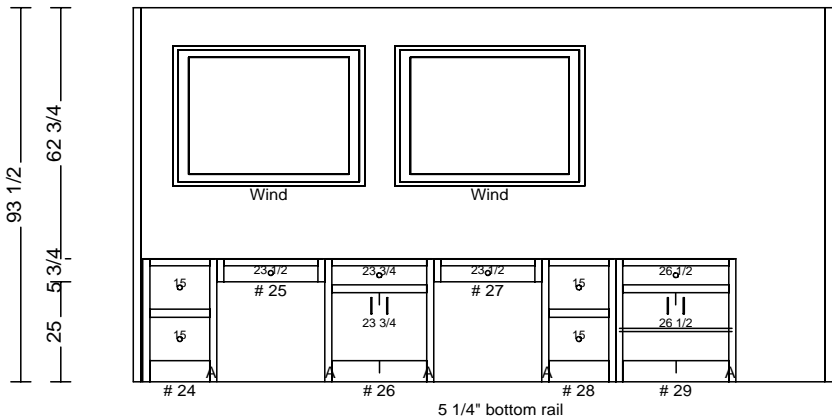
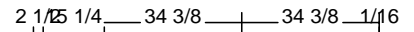
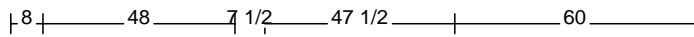
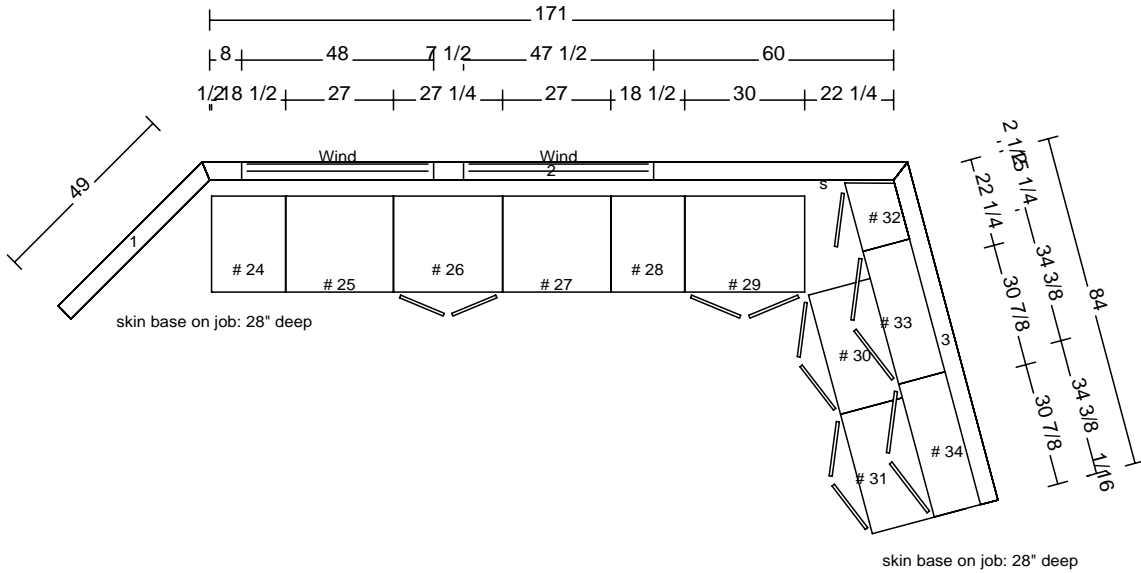


Island

DATE	<h1>THARP CABINET ORDER</h1>	FRAMES	
JOB #			
Sheet 2 of 5			
Description Mitchell		Address 59 Bobcat Mountain, Livermore, CO	
Name Galen Trabant		WOOD:	SOFFIT
Phone 484-9703		STAIN:	DOOR STYLE
Contact Steve Mitchell		EDGE:	HINGE:
UPPERS:	TOPS:	FLOORS:	



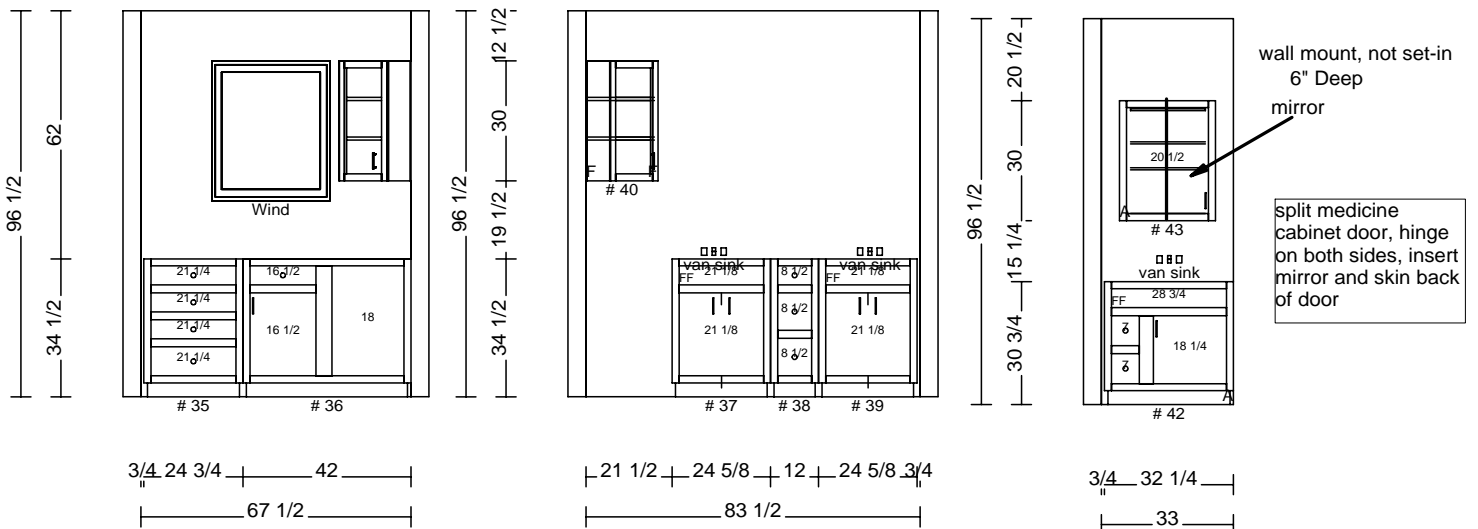
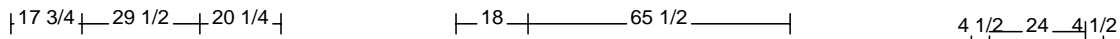
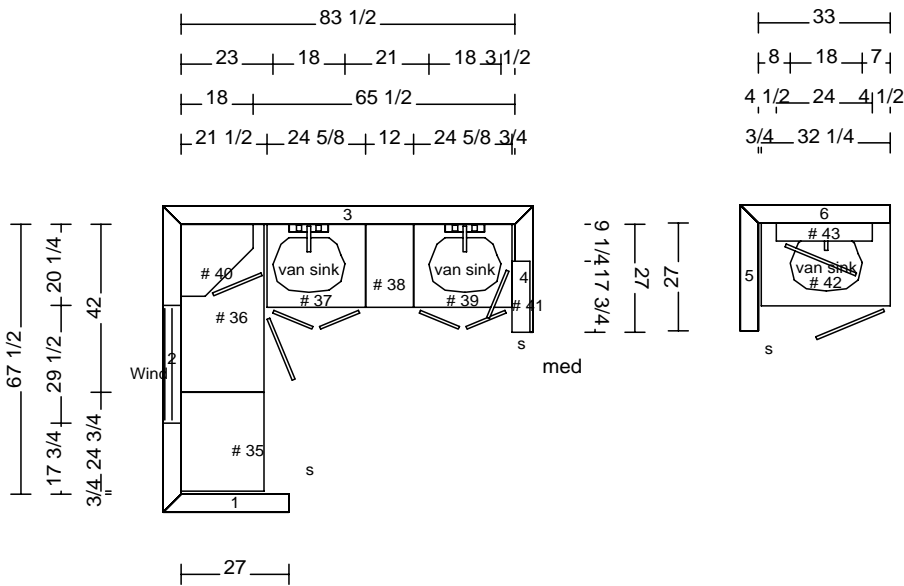
DATE	<h1>THARP CABINET ORDER</h1>		FRAMES
JOB #			
Sheet 3 of 5			
Description Mitchell		Address 59 Bobcat Mountain, Livermore, CO	
Name Galen Trabant		WOOD: oak	SOFFIT: reverse
Phone 484-9703		STAIN: natural	DOOR STYLE
Contact Steve Mitchell		EDGE: wood	HINGE: 1 1/4
UPPERS: 30	TOPS: plastic lam	FLOORS: carpet	



DATE	<h1>THARP CABINET ORDER</h1>		FRAMES	
JOB #				
Sheet 4 of 5				
Description Mitchell		Address 59 Bobcat Mountain, Livermore, CO		
Name Galen Trabant		WOOD: oak	SOFFIT	
Phone 484-9703		STAIN: natural	DOOR STYLE revere	
Contact Steve Mitchell		EDGE:	HINGE: 1 1/4	
UPPERS: 30	TOPS:	FLOORS: tile		

master: cultrued stone

Main formica



DATE	<h1>THARP CABINET ORDER</h1>		FRAMES	
JOB #				
Sheet 5 of 5				
Description Mitchell		Address 59 Bobcat Mountain, Livermore, CO		
Name Galen Trabant		WOOD: oak	SOFFIT	
Phone 484-9703		STAIN: natural	DOOR STYLE revere	
Contact Steve Mitchell		EDGE: wood	HINGE: 1 1/4	
UPPERS: 42	TOPS: plastic lam	FLOORS: vinyl		

