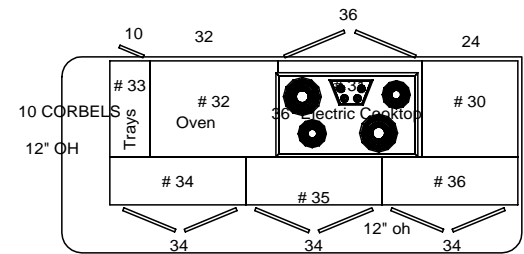
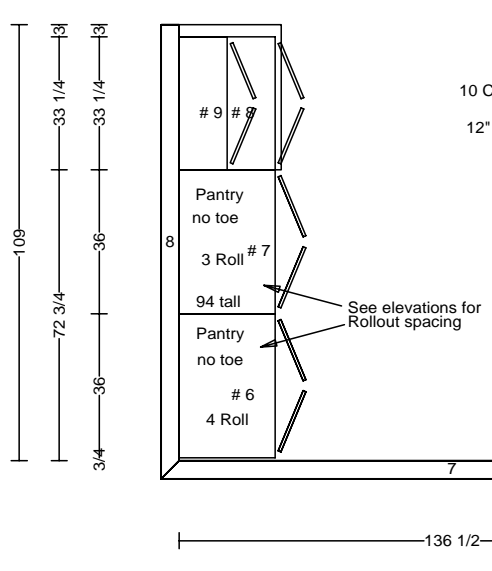
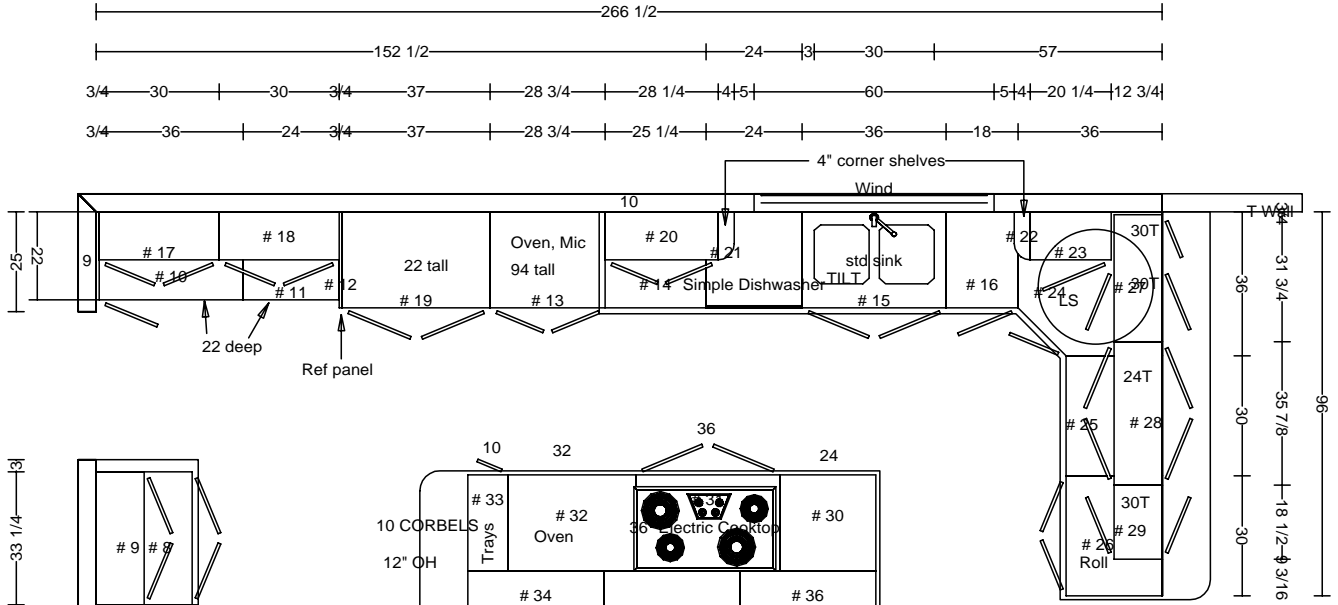
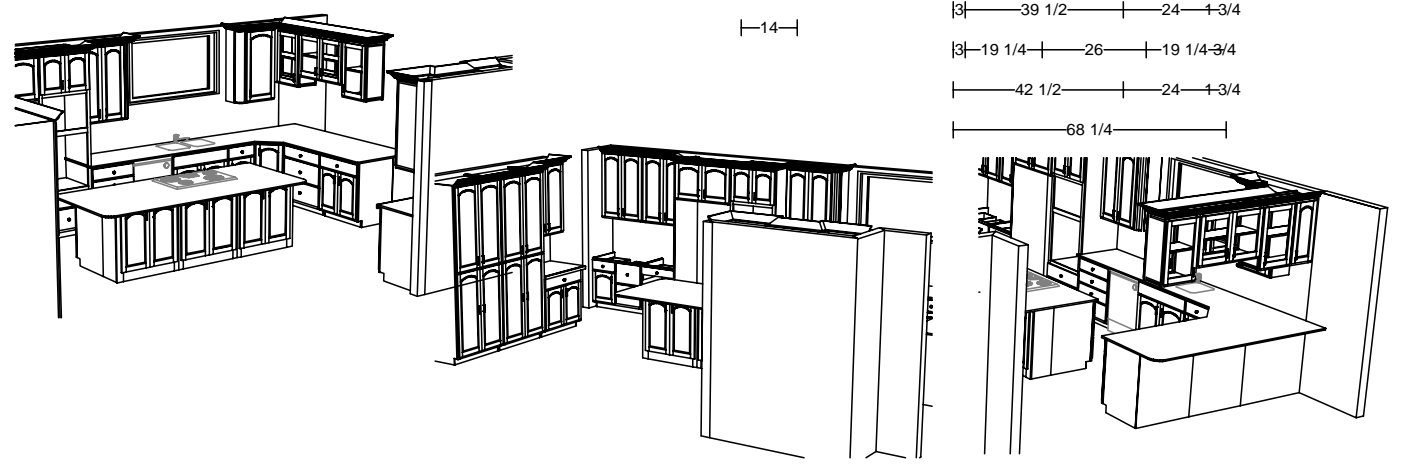
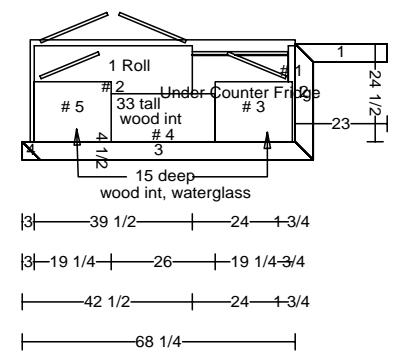


DATE	RAY 12.17.03		FRAMES
JOB #	<h1>THARP CABINET ORDER</h1>		
Sheet 1 of 3			
Description McLaughlin Remodel			Address 6660 Crestbrook Dr., Morrison, CO
Name Jack & Sheree McLaughlin	WOOD: ALDER	SOFFIT NONE	
Phone	STAIN: Golden Pecan	DOOR STYLE PATRIOT	
Contact	EDGE: GRANITE	HINGE: EURO 1 1/4"	
UPPERS: 40"	TOPS: GRANITE	FLOORS: EXISTING HARDWOOD	
INSTALL (THARP/SELF): THARP	CUSTOMER PICK-UP (YES/NO): THARP		



UPPER LIGHT VALANCE  
STD CROWN 3 5/8





DATE	<h1>THARP CABINET ORDER</h1>		FRAMES
JOB #			
Sheet 3 of 3			
Description McLaughlin Remodel		Address 6660 Crestbrook Dr., Morrison, CO	
Name Jack & Sheree McLaughlin		WOOD:	SOFFIT
Phone		STAIN:	DOOR STYLE
Contact		EDGE:	HINGE:
UPPERS:		TOPS:	FLOORS:
INSTALL (THARP/SELF):		CUSTOMER PICK-UP (YES/NO):	

