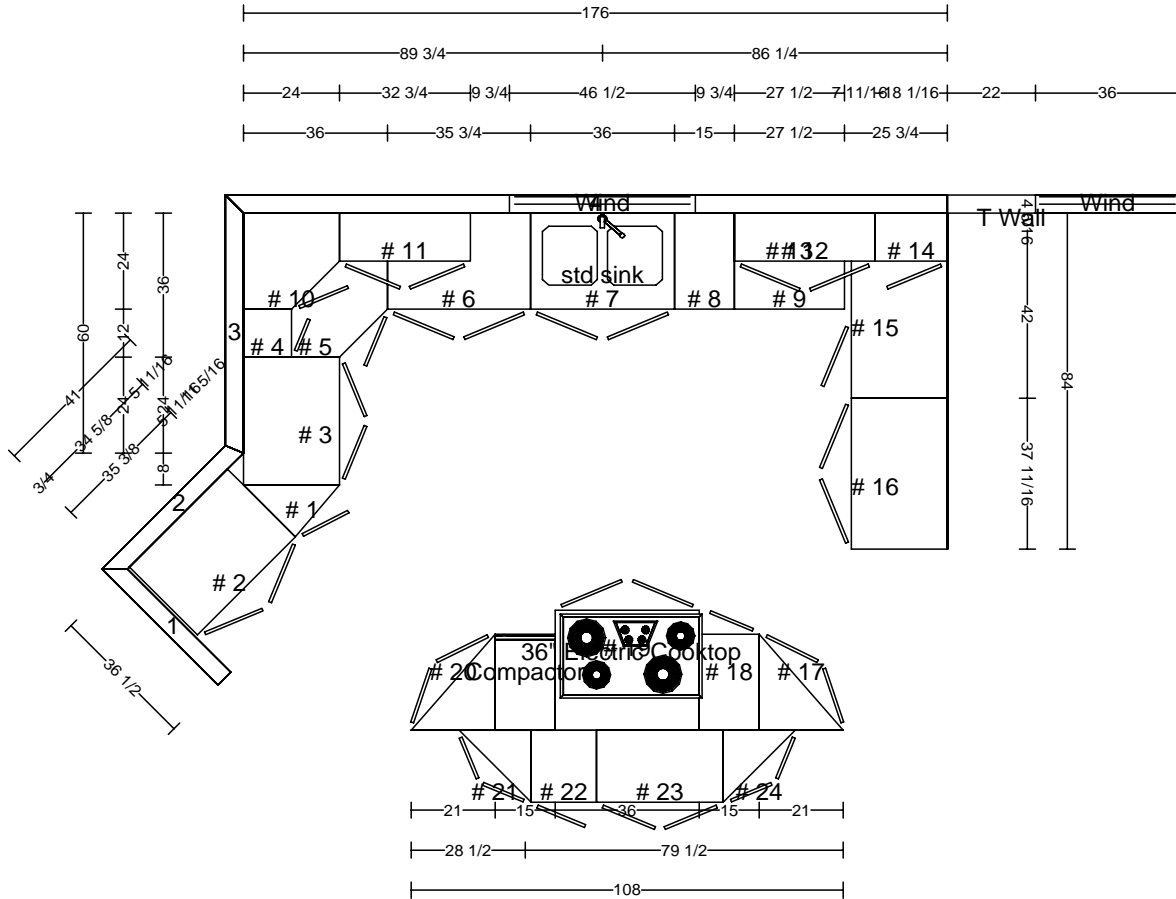
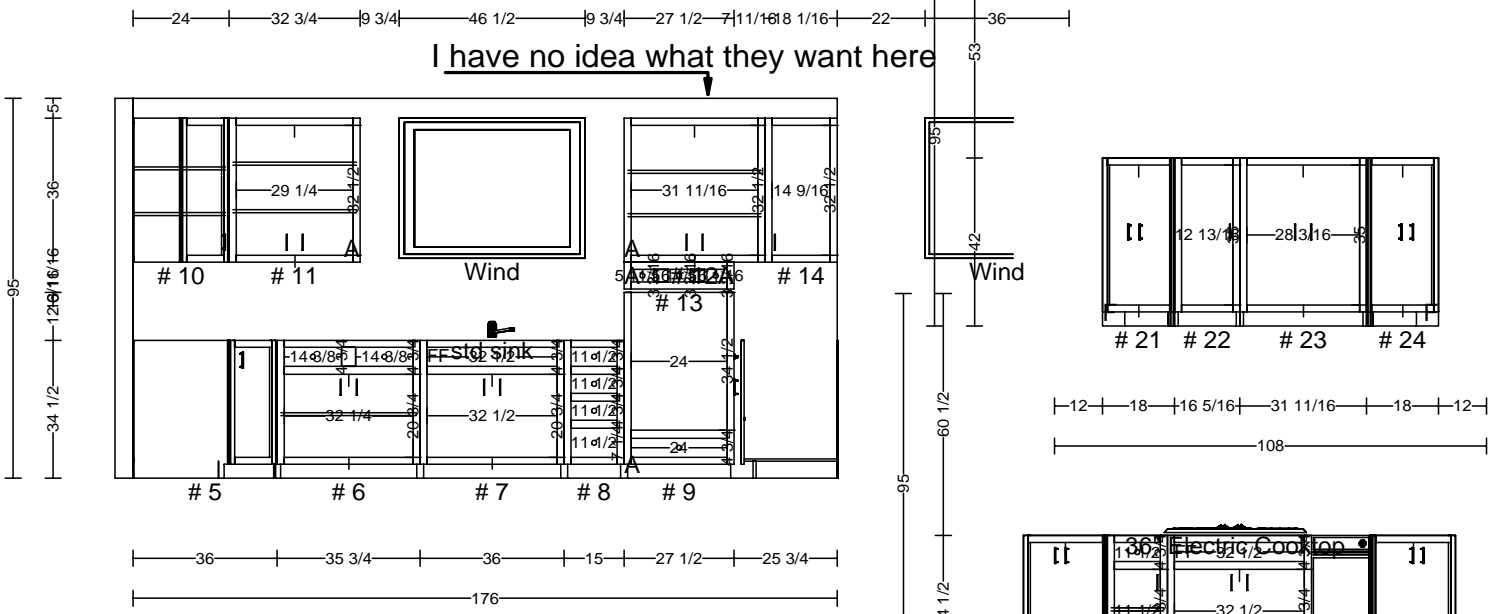
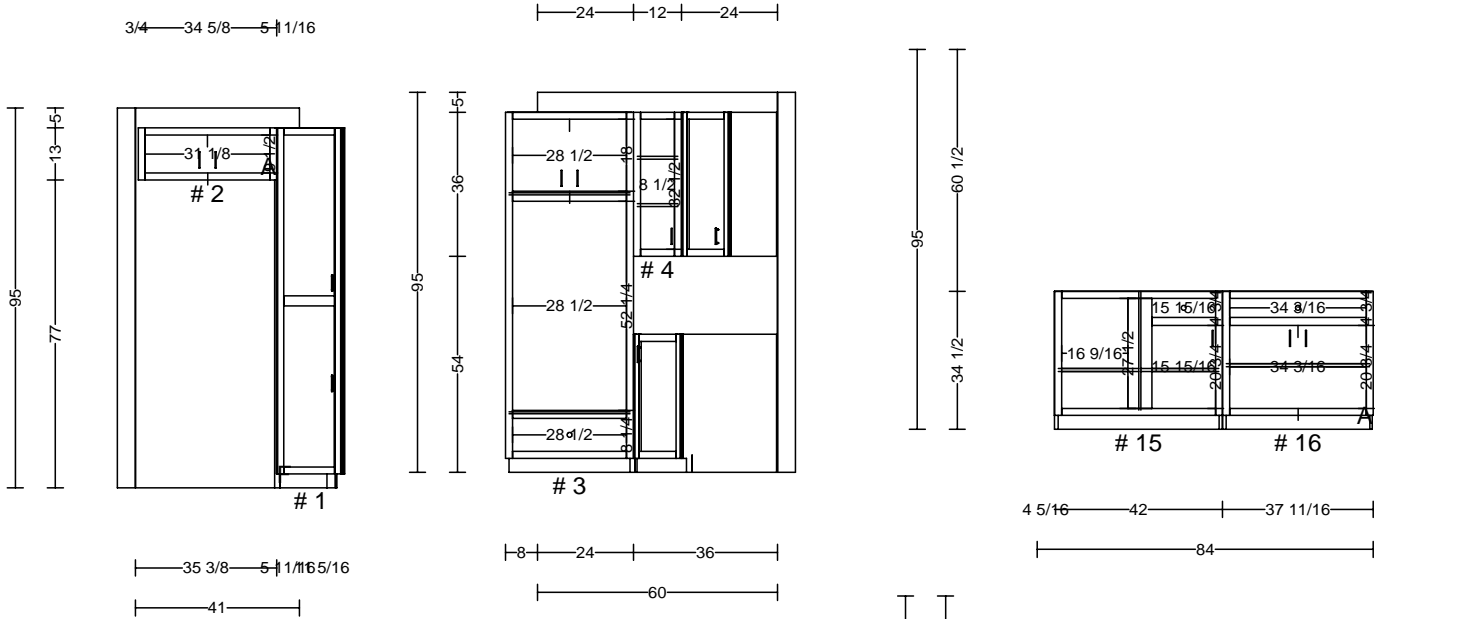


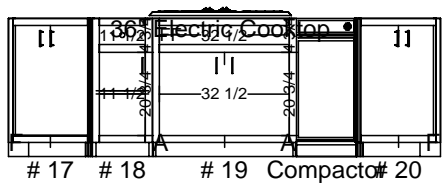
DATE	<h1>THARP CABINET ORDER</h1>		FRAMES
JOB #			
Sheet 1 of 5			
Description Mayo Home		Address 812 Ptarmigan Run, Loveland, CO	
Name Rodney Mayo		WOOD:	SOFFIT
Phone 556-7334		STAIN:	DOOR STYLE
Contact Rodney		EDGE:	HINGE:
UPPERS:		TOPS:	FLOORS:
INSTALL (THARP/SELF):		CUSTOMER PICK-UP (YES/NO):	



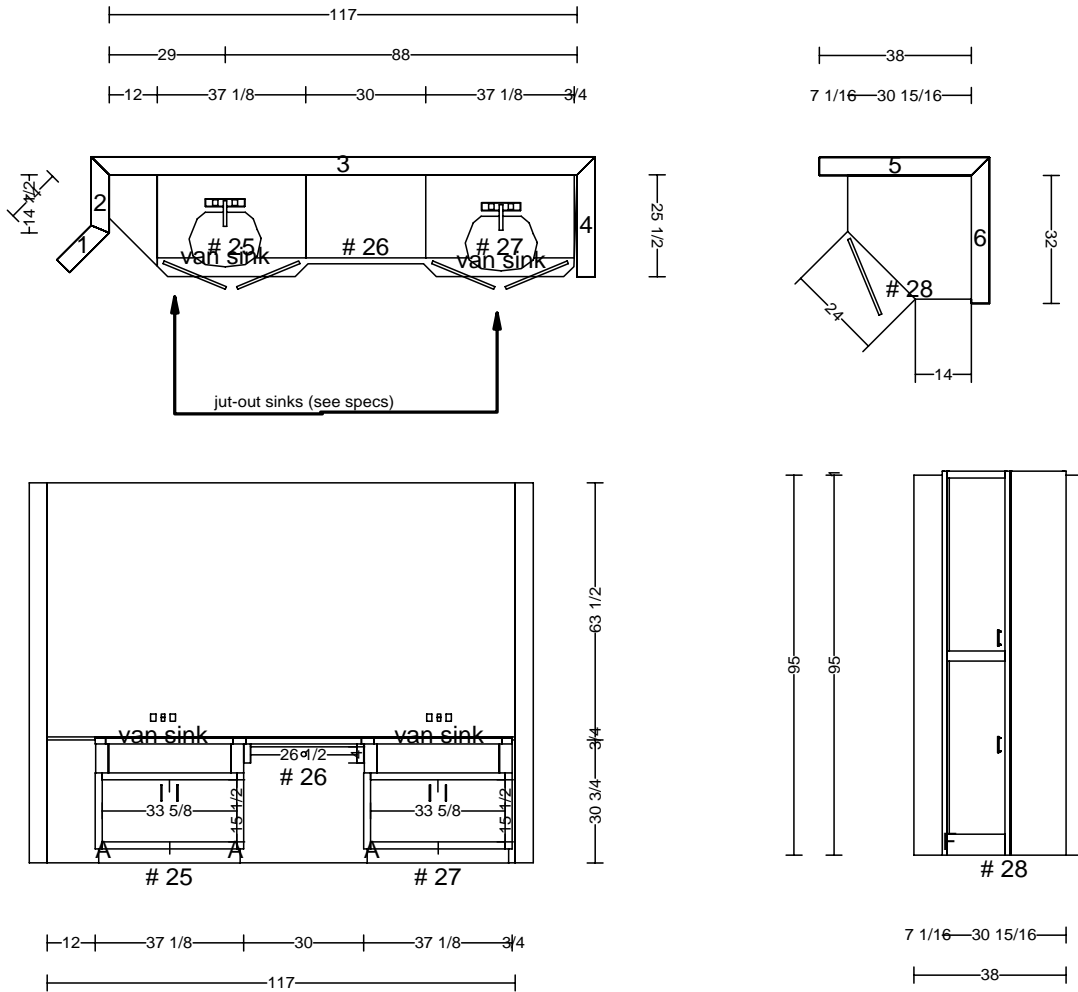
DATE	<h1>THARP CABINET ORDER</h1>		FRAMES
JOB #			
Sheet 2 of 5			
Description Mayo Home		Address 812 Ptarmigan Run, Loveland, CO	
Name Rodney Mayo		WOOD:	SOFFIT
Phone 556-7334		STAIN:	DOOR STYLE
Contact Rodney		EDGE:	HINGE:
UPPERS:	TOPS:	FLOORS:	



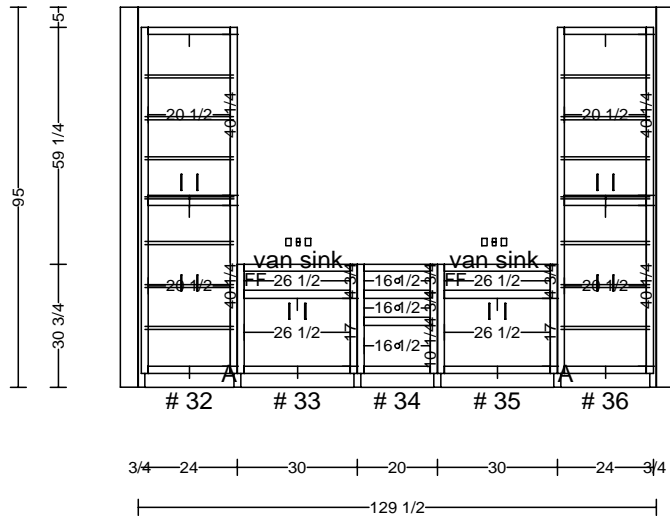
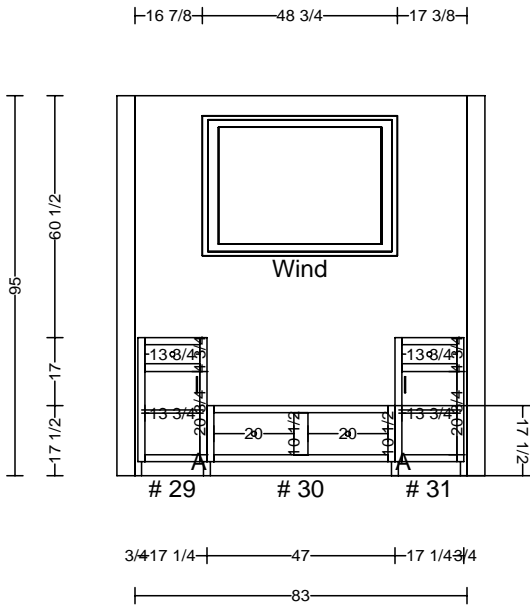
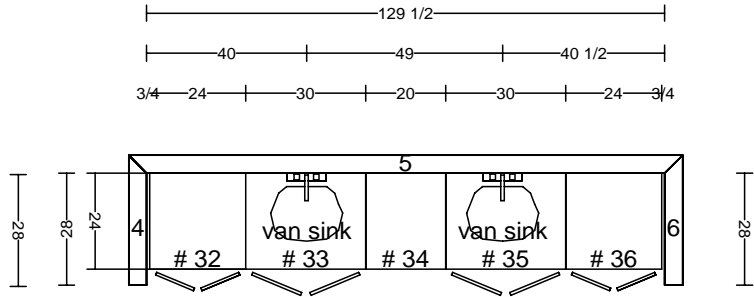
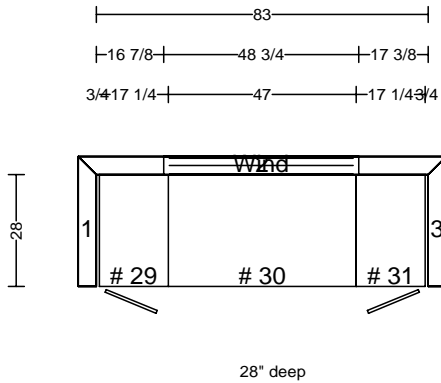
I have no idea what they want here



DATE	<h1>THARP CABINET ORDER</h1>		FRAMES
JOB #			
Sheet 3 of 5			
Description Mayo Home		Address 812 Ptarmigan Run, Loveland, CO	
Name Rodney Mayo		WOOD:	SOFFIT
Phone 556-7334		STAIN:	DOOR STYLE
Contact Rodney		EDGE:	HINGE:
UPPERS:	TOPS:	FLOORS:	



DATE	<h1>THARP CABINET ORDER</h1>		FRAMES
JOB #			
Sheet 4 of 5			
Description Mayo Home		Address 812 Ptarmigan Run, Loveland, CO	
Name Rodney Mayo		WOOD:	SOFFIT
Phone 556-7334		STAIN:	DOOR STYLE
Contact Rodney		EDGE:	HINGE:
UPPERS:	TOPS:	FLOORS:	



DATE	<h1>THARP CABINET ORDER</h1>		FRAMES	
JOB #				
Sheet 5 of 5				
Description Mayo Home		Address 812 Ptarmigan Run, Loveland, CO		
Name Rodney Mayo		WOOD:	SOFFIT	
Phone 556-7334		STAIN:	DOOR STYLE	
Contact Rodney		EDGE:	HINGE:	
UPPERS:	TOPS:	FLOORS:		

