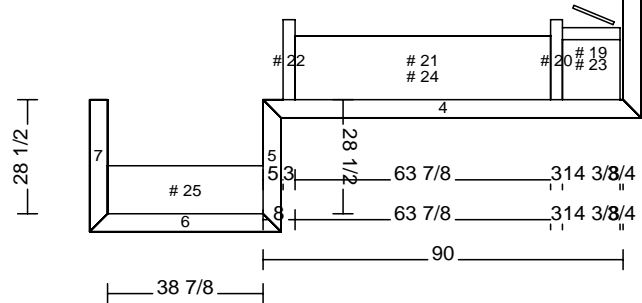
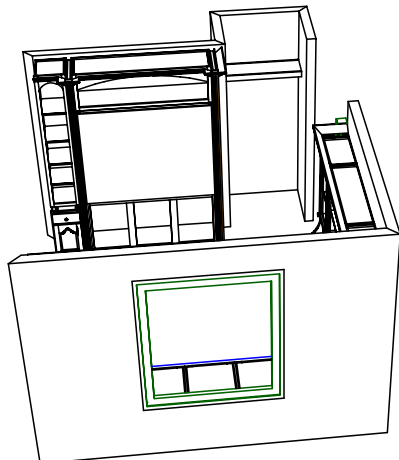
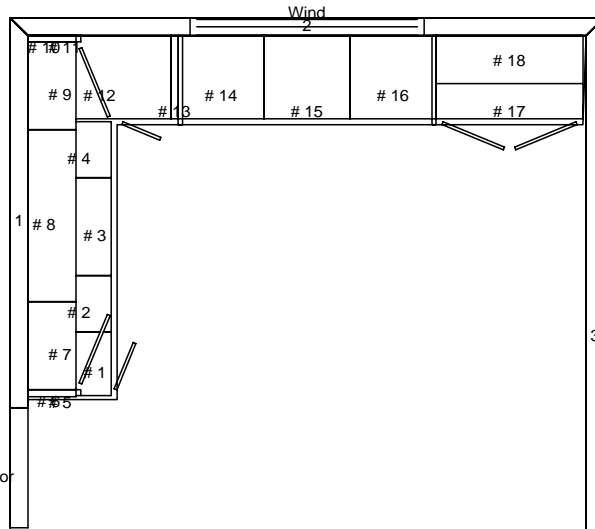
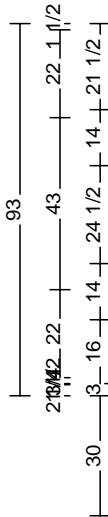
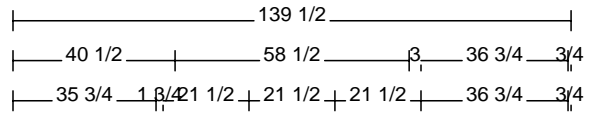
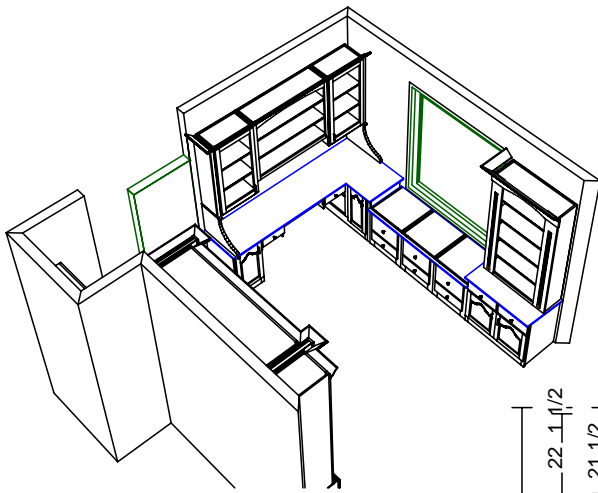
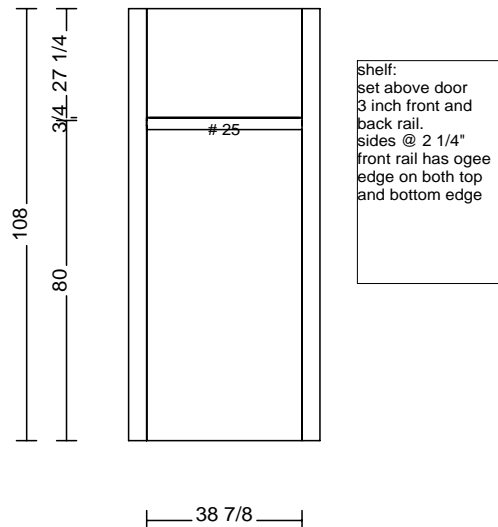
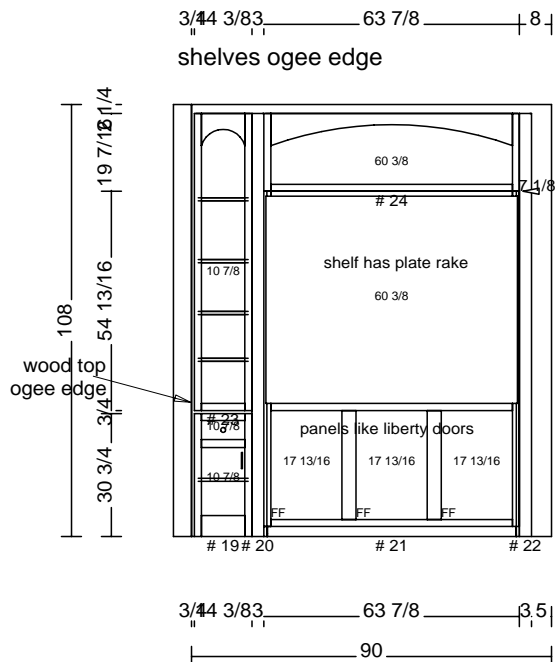
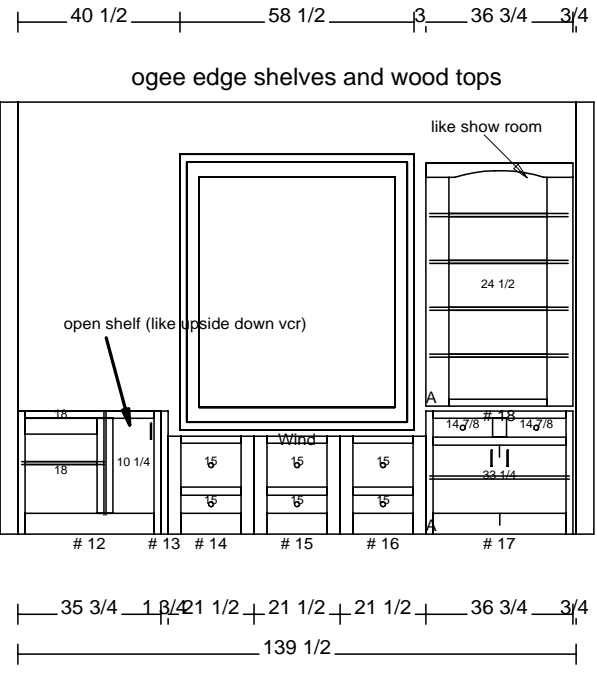
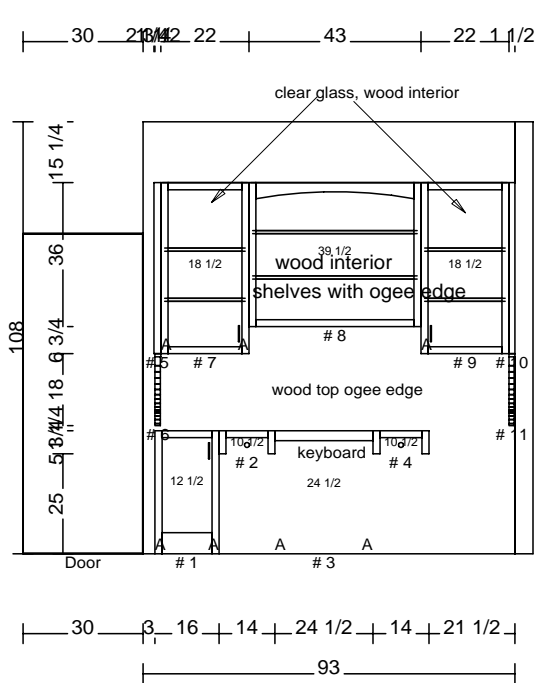


DATE	<h1>THARP CABINET ORDER</h1>		FRAMES
JOB #			
Sheet 1 of 3			
Description Keefe	Address 1820 Pyramid Peak, Loveland		
Name Art & Beverly Keefe	WOOD: alder	SOFFIT	
Phone 667-1572	STAIN: nutmeg	DOOR STYLE liberty	
Contact	EDGE: ogee	HINGE: 1 1/4"	
UPPERS:	TOPS: wood	FLOORS: carpet	
INSTALL (THARP/SELF): tharp	CUSTOMER PICK-UP (YES/NO): tharp		



DATE	<h1>THARP CABINET ORDER</h1>		FRAMES
JOB #			
Sheet 2 of 3			
Description Keefe		Address 1820 Pyramid Peak, Loveland	
Name Art & Beverly Keefe		WOOD:	SOFFIT
Phone 667-1572		STAIN:	DOOR STYLE
Contact		EDGE:	HINGE:
UPPERS:		TOPS:	FLOORS:
INSTALL (THARP/SELF):		CUSTOMER PICK-UP (YES/NO):	



DATE	<h1>THARP CABINET ORDER</h1>		FRAMES
JOB #			
Sheet 3 of 3			
Description Keefe	Address 1820 Pyramid Peak, Loveland		
Name Art & Beverly Keefe	WOOD:	SOFFIT	
Phone 667-1572	STAIN:	DOOR STYLE	
Contact	EDGE:	HINGE:	
UPPERS:	TOPS:	FLOORS:	
INSTALL (THARP/SELF):	CUSTOMER PICK-UP (YES/NO):		

