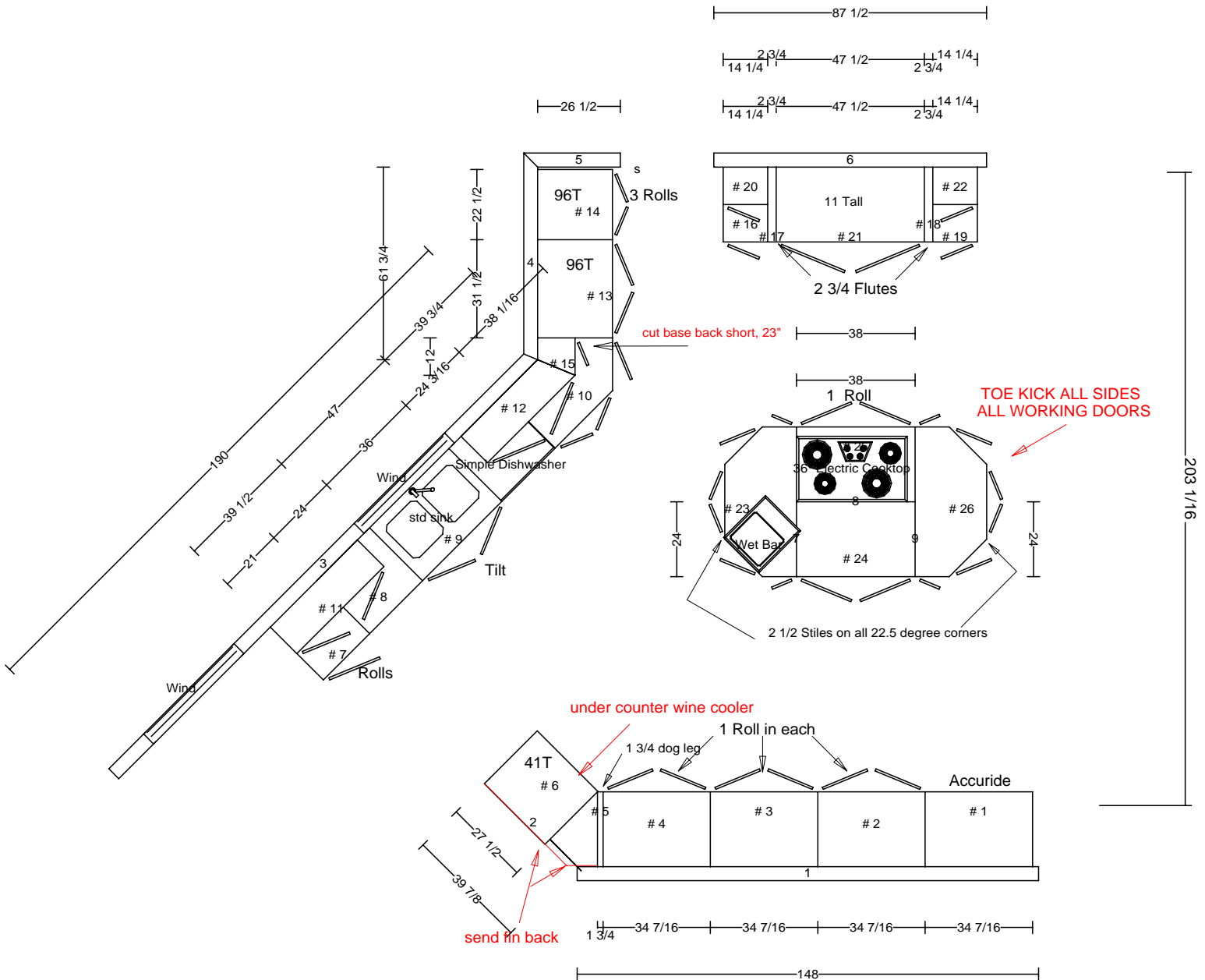
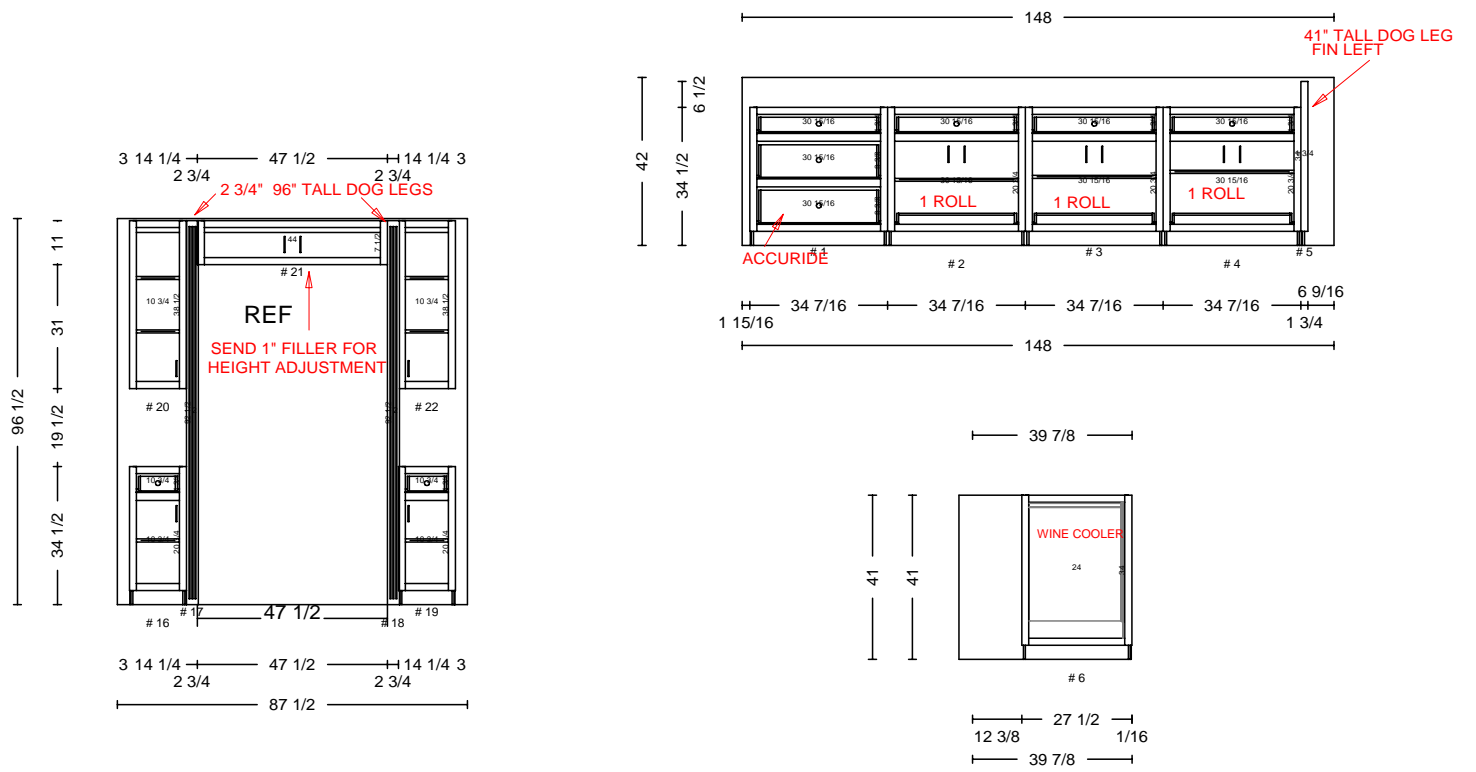
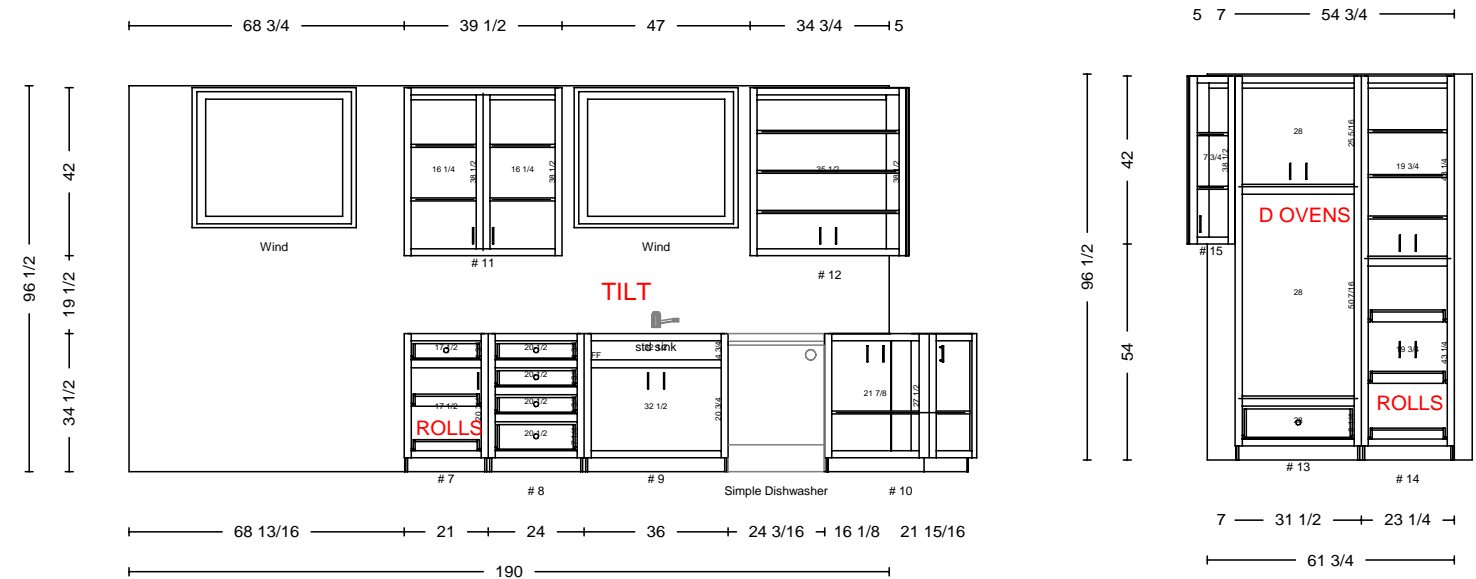


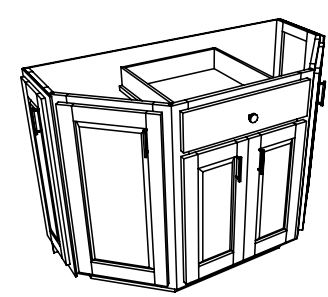
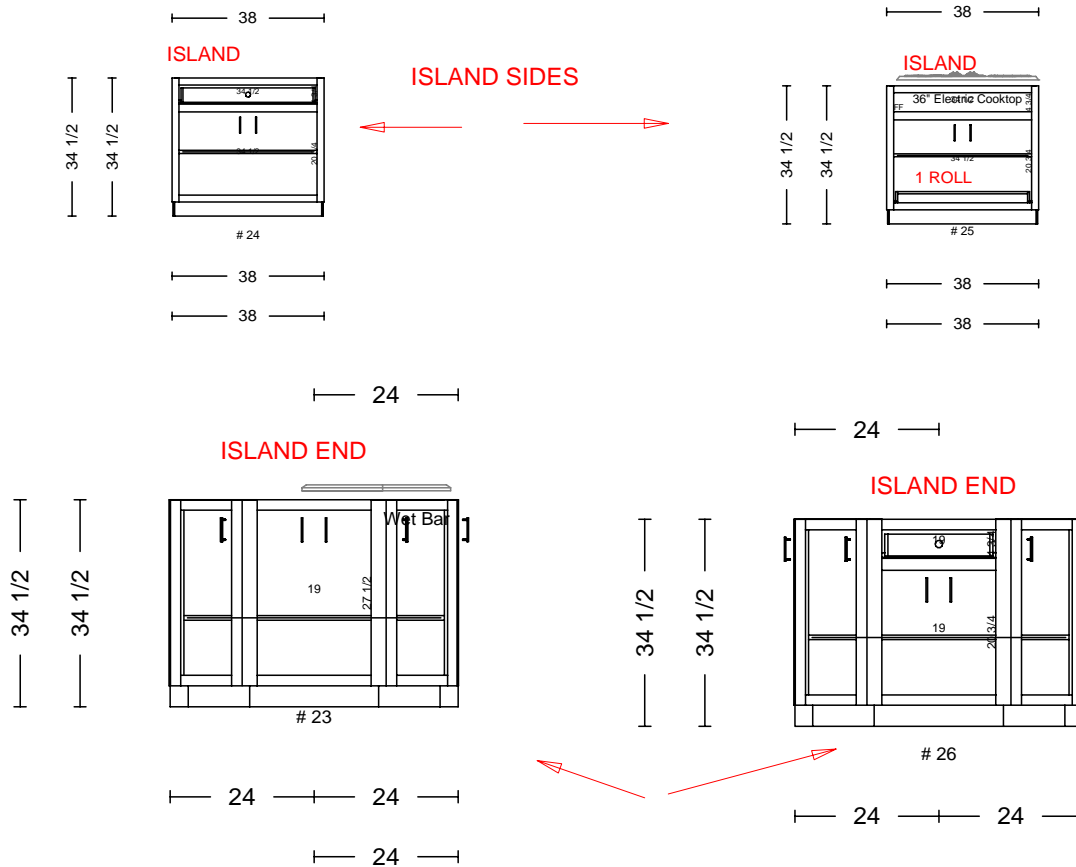
DATE	<h1>THARP CABINET ORDER</h1>		FRAMES
JOB #			
Sheet 1 of 8			DDT
Description Jensen New Home		Address 18215 Weld CR 31, Gilcrest	
Name Jay Jensen		WOOD OAK	SOFFIT 96 1/2" R - S.
Phone 970 381-5599		STAIN OWNER SUPPLIED	DOOR REVERE BASES PATRIOT UPPERS
Contact Jay		EDGE N/A	DRAWER STD FRONT & BOXES
UPPERS 30" / 42"	TOPS N/A	FINGERPULLS YES DOORS ONLY	
INSTALL SELF	DELIVER THARP	FLOORS HARDWOOD	HINGE CUSTOM 1 1/4"



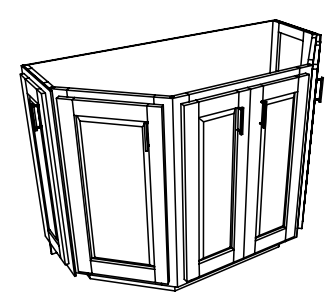
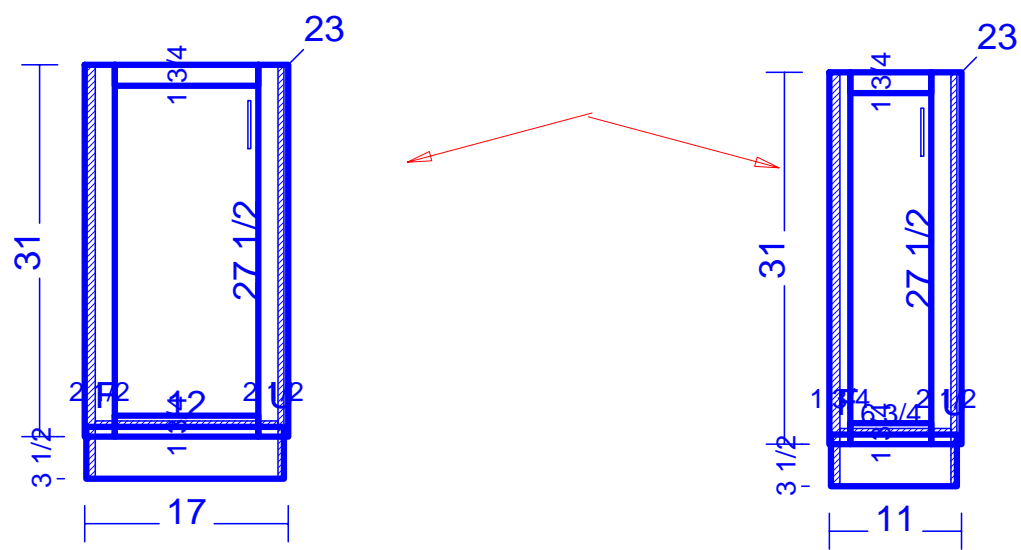
DATE	<h1>THARP CABINET ORDER</h1>			FRAMES	
JOB #					
Sheet 2 of 8					
Description Jensen New Home		Address 18215 Weld CR 31, Gilcrest			
Name Jay Jensen		WOOD	SOFFIT		
Phone 970 381-5599		STAIN	DOOR		
Contact Jay		EDGE	DRAWER		
UPPERS		TOPS	FINGERPULLS		
INSTALL	DELIVER		FLOORS		HINGE



DATE	<h1>THARP CABINET ORDER</h1>		FRAMES	
JOB #				
Sheet 3 of 8				
Description Jensen New Home		Address 18215 Weld CR 31, Gilcrest		
Name Jay Jensen		WOOD	SOFFIT	
Phone 970 381-5599		STAIN	DOOR	
Contact Jay		EDGE	DRAWER	
UPPERS		TOPS	FINGERPULLS	
INSTALL	DELIVER	FLOORS	HINGE	

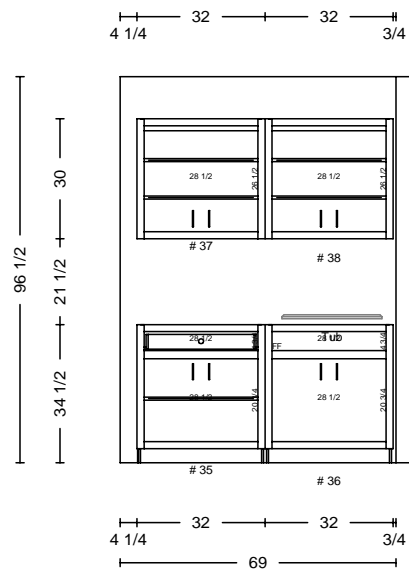
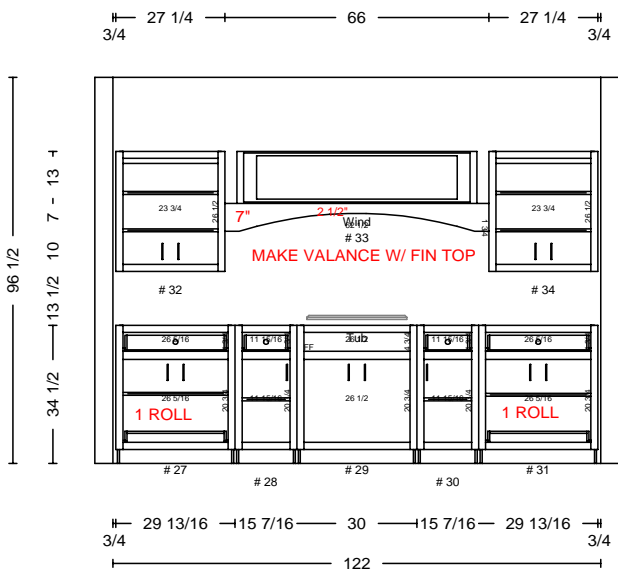
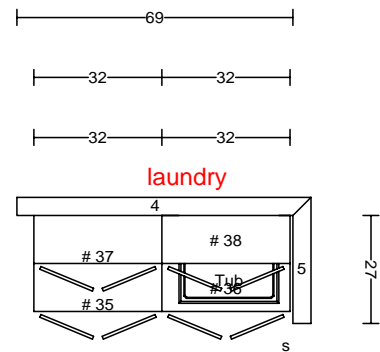
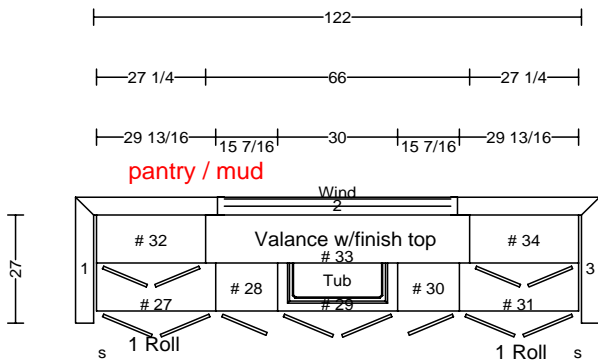


DETAILS FOR ISLAND CORNER FRAMES

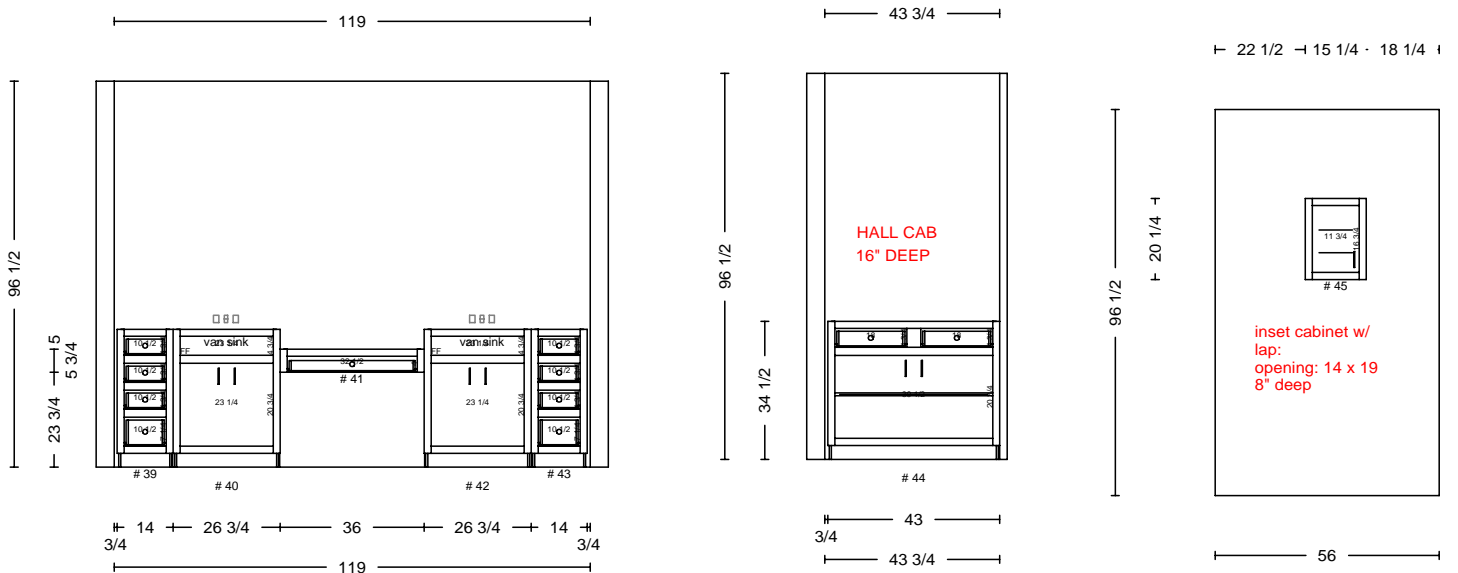
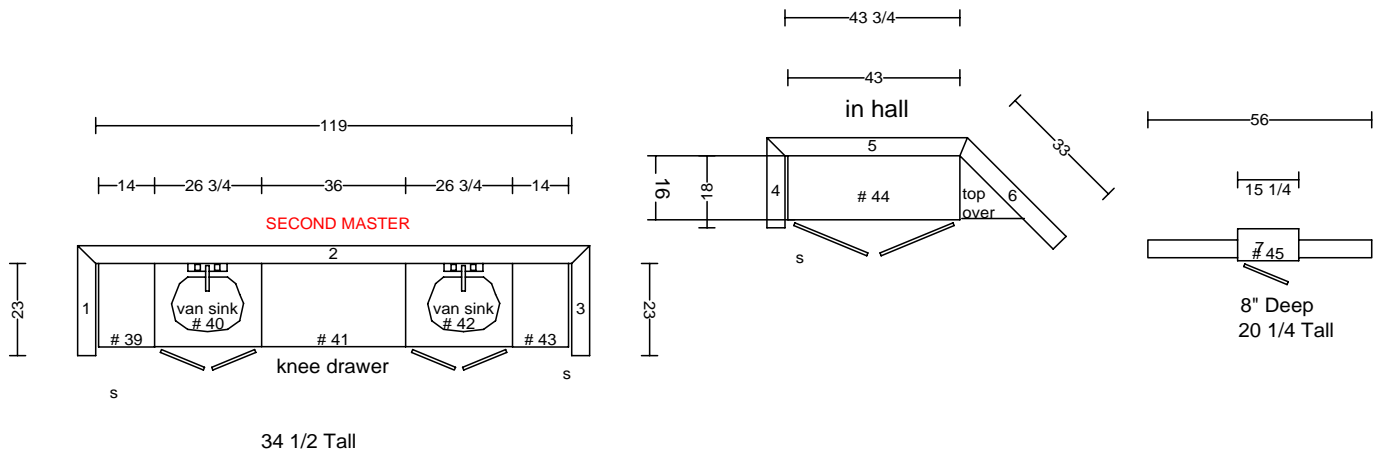


DATE	<h1>THARP CABINET ORDER</h1>	FRAMES
JOB #		
Sheet 4 of 8		

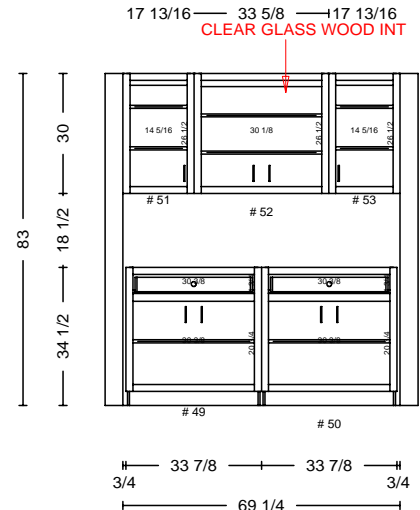
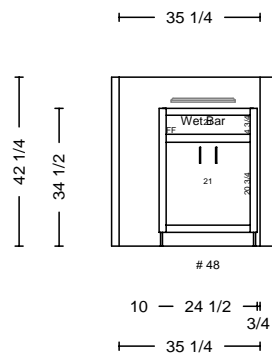
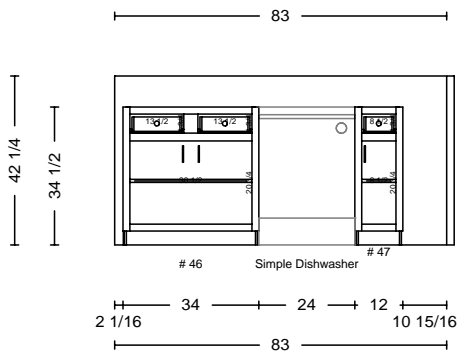
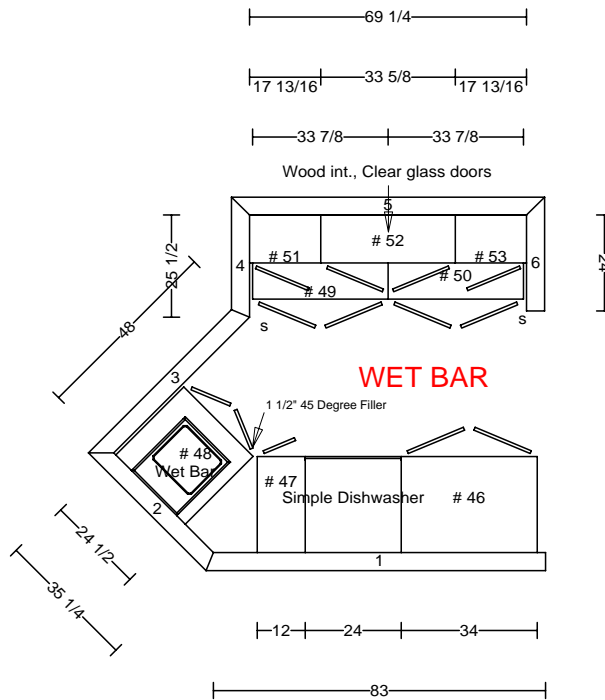
Description Jensen New Home		Address 18215 Weld CR 31, Gilcrest	
Name Jay Jensen		WOOD	SOFFIT
Phone 970 381-5599		STAIN	DOOR
Contact Jay		EDGE	DRAWER
UPPERS	TOPS	FINGERPULLS	
INSTALL	DELIVER	FLOORS	HINGE



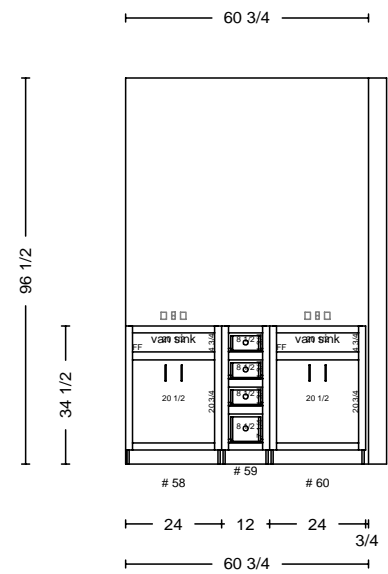
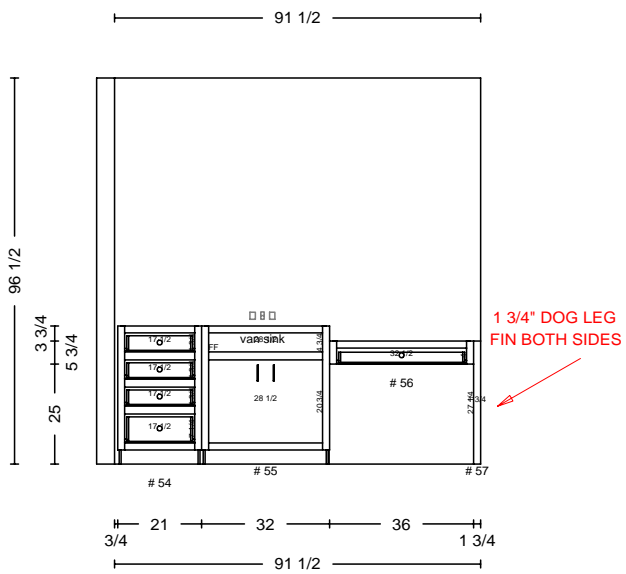
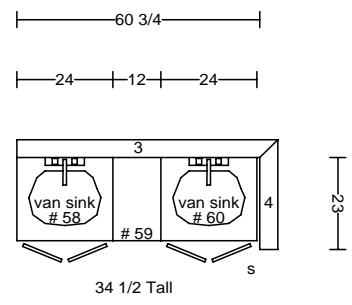
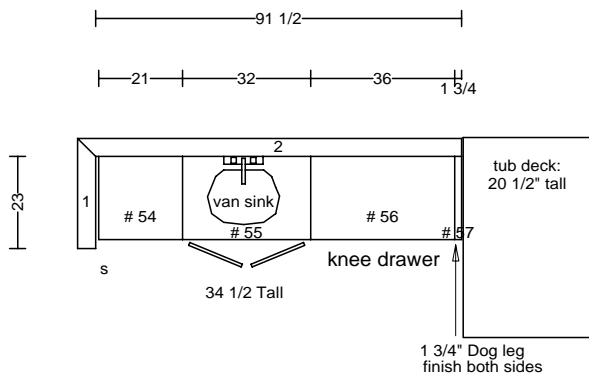
DATE	<h1>THARP CABINET ORDER</h1>			FRAMES	
JOB #					
Sheet 5 of 8					
Description Jensen New Home		Address 18215 Weld CR 31, Gilcrest			
Name Jay Jensen		WOOD	SOFFIT		
Phone 970 381-5599		STAIN	DOOR		
Contact Jay		EDGE	DRAWER		
UPPERS		TOPS	FINGERPULLS		
INSTALL	DELIVER	FLOORS		HINGE	



DATE	<h1>THARP CABINET ORDER</h1>		FRAMES	
JOB #				
Sheet 6 of 8				
Description Jensen New Home		Address 18215 Weld CR 31, Gilcrest		
Name Jay Jensen		WOOD	SOFFIT	
Phone 970 381-5599		STAIN	DOOR	
Contact Jay		EDGE	DRAWER	
UPPERS	TOPS	FINGERPULLS		
INSTALL	DELIVER	FLOORS	HINGE	



DATE	<h1>THARP CABINET ORDER</h1>			FRAMES	
JOB #					
Sheet 7 of 8					
Description Jensen New Home		Address 18215 Weld CR 31, Gilcrest			
Name Jay Jensen		WOOD	SOFFIT		
Phone 970 381-5599		STAIN	DOOR		
Contact Jay		EDGE	DRAWER		
UPPERS		TOPS	FINGERPULLS		
INSTALL	DELIVER	FLOORS		HINGE	



DATE	<h1>THARP CABINET ORDER</h1>			FRAMES	
JOB #					
Sheet 8 of 8					
Description Jensen New Home		Address 18215 Weld CR 31, Gilcrest			
Name Jay Jensen		WOOD	SOFFIT		
Phone 970 381-5599		STAIN	DOOR		
Contact Jay		EDGE	DRAWER		
UPPERS		TOPS	FINGERPULLS		
INSTALL	DELIVER	FLOORS	HINGE		

confirm:
measurements
provided by Jensen,

