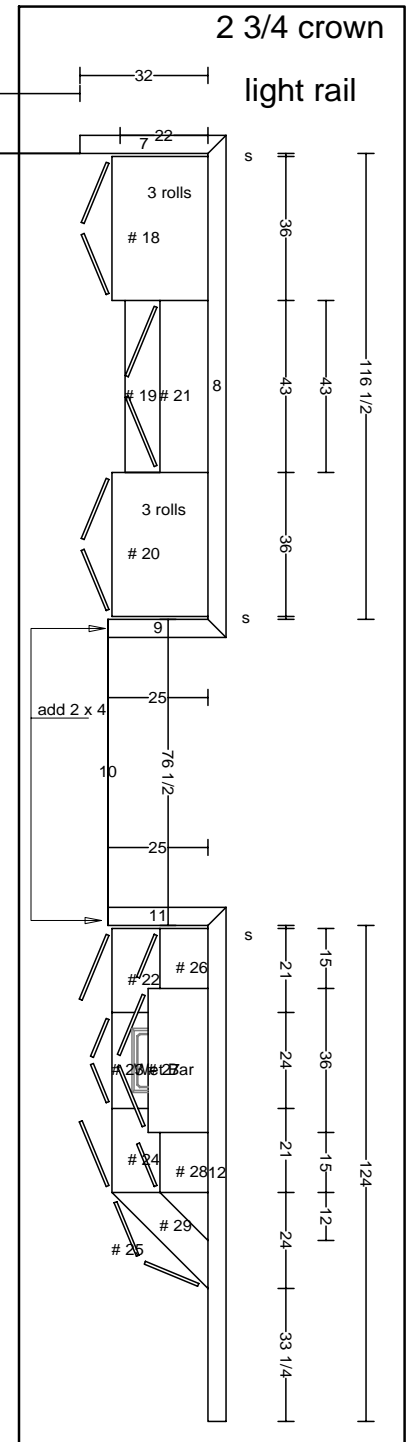
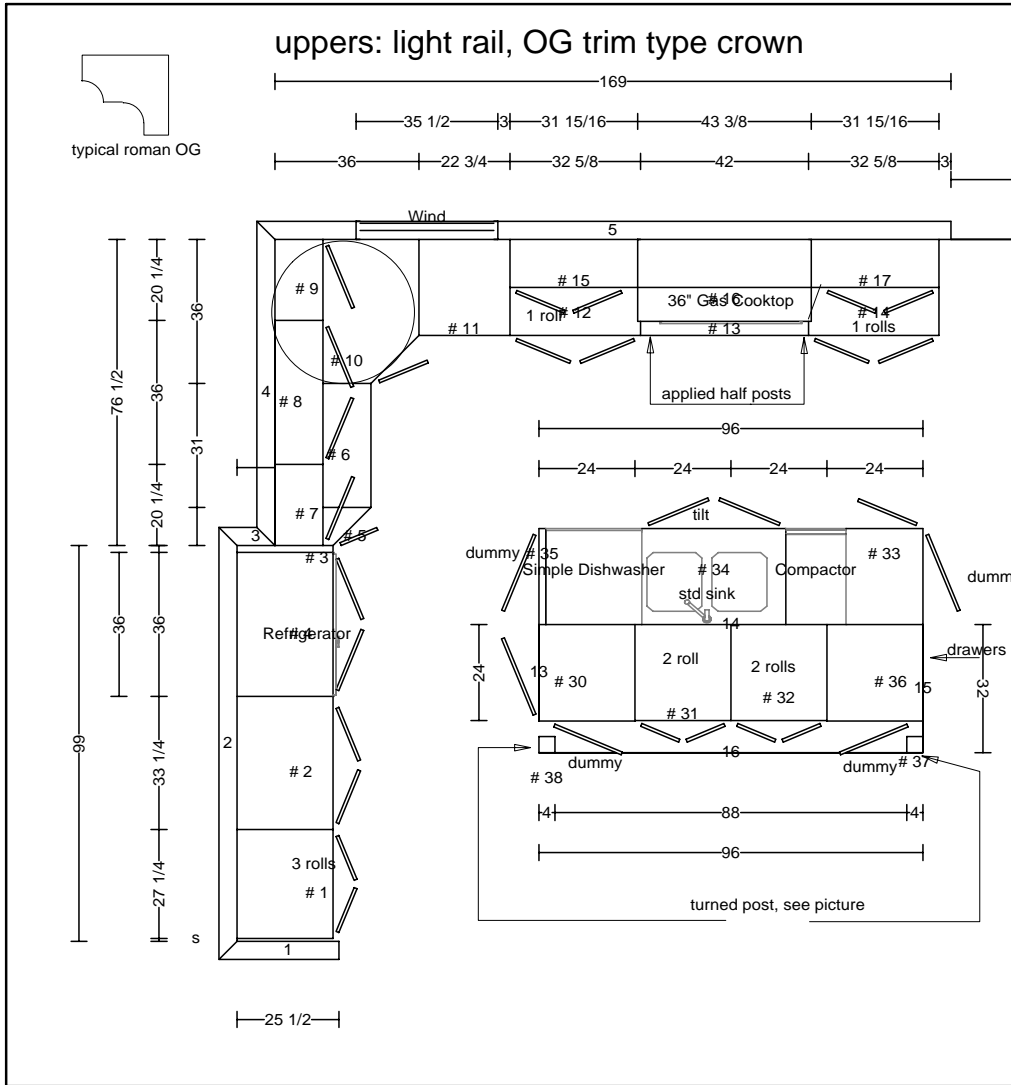


DATE	ray 3/2/05 <b>THARP CABINET ORDER</b>		FRAMES
JOB #			
Sheet 1 of 6			
Description Hixon Dunn Residence		Address 1900 Pawnee Dr., Fort Collins, CO	
Name Dunn	WOOD knotty alder	SOFFIT to build @ 84" finish floor to finish soffit	
Phone 218-0311	STAIN see each elevation	DOOR upper: patriot base: reve	
Contact Sarah	EDGE none	DRAWER see each plan view	
UPPERS 30	TOPS 3 cm granite	FINGERPULLS no	
INSTALL self	DELIVER tharp	FLOORS	HINGE 1 1/4 custom

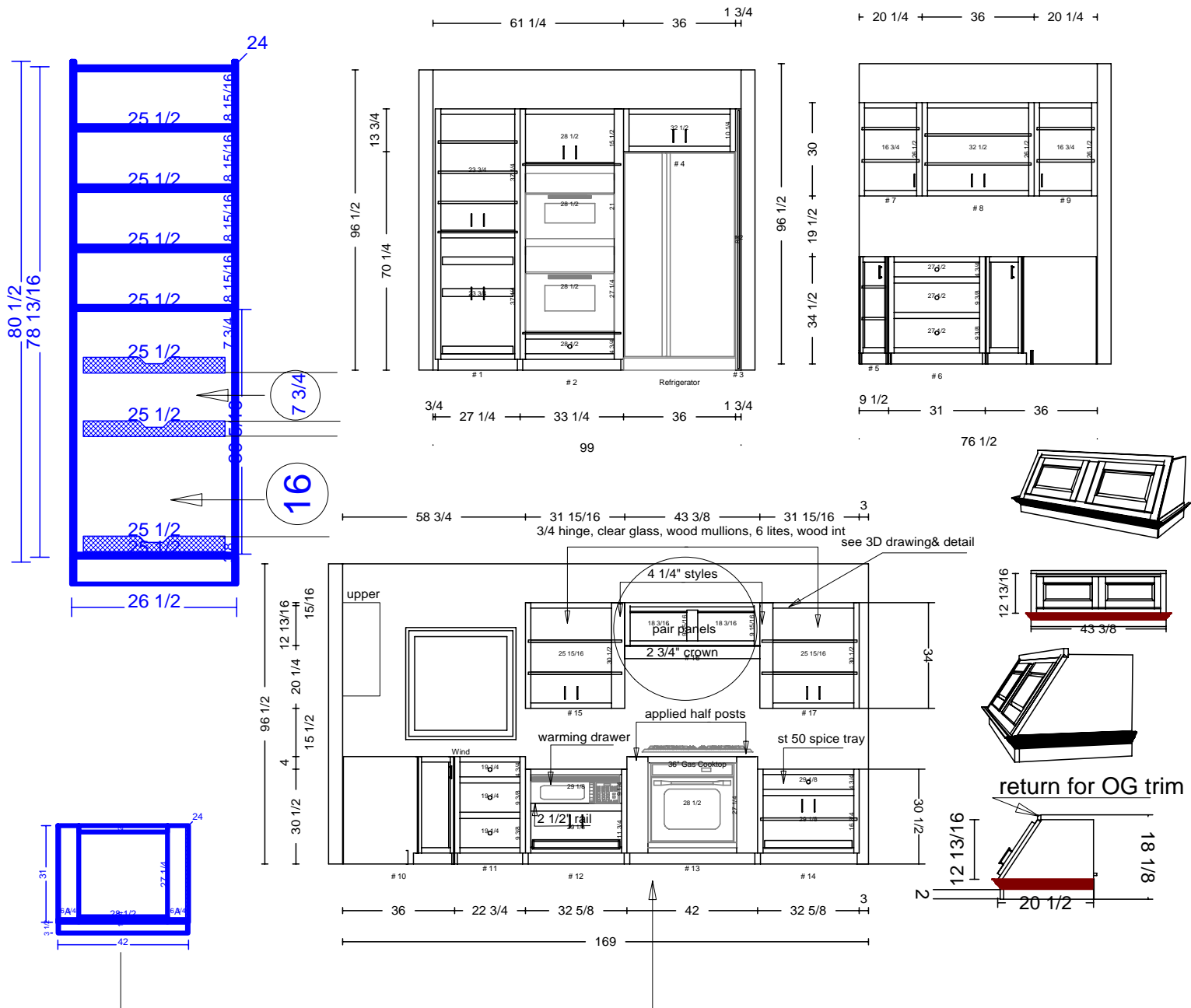


finish floor to finish soffit = 84"

drawer:	5 piece
box:	dovetail
glide:	std

DATE	<h1>THARP CABINET ORDER</h1>		FRAMES	
JOB #				
Sheet 2 of 6				
Description Hixon Dunn Residence		Address 1900 Pawnee Dr., Fort Collins, CO		
Name Dunn	WOOD	SOFFIT		
Phone 218-0311	STAIN	DOOR		
Contact Sarah	EDGE	DRAWER		
UPPERS	TOPS	FINGERPULLS		
INSTALL	DELIVER	FLOORS	HINGE	

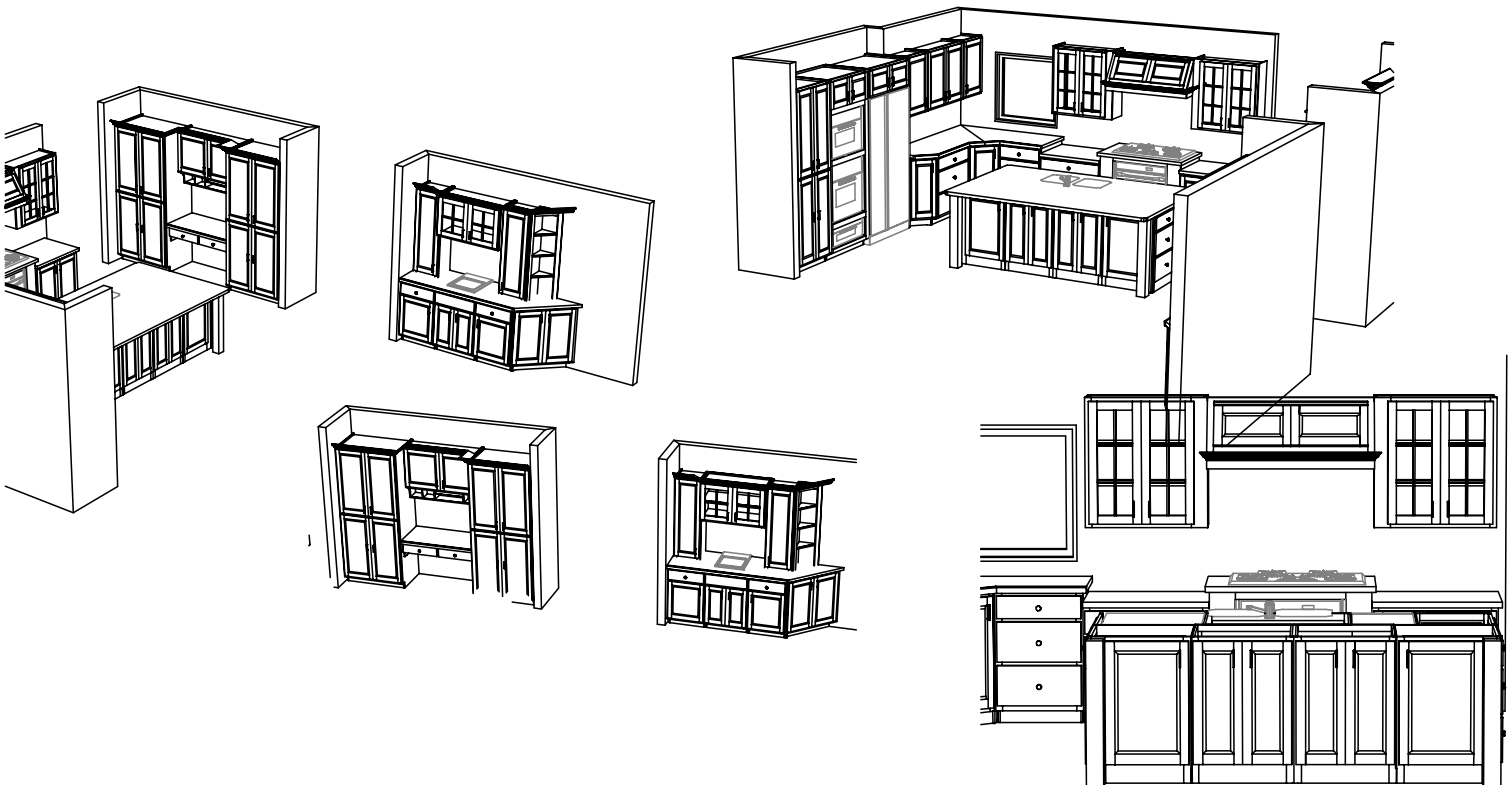
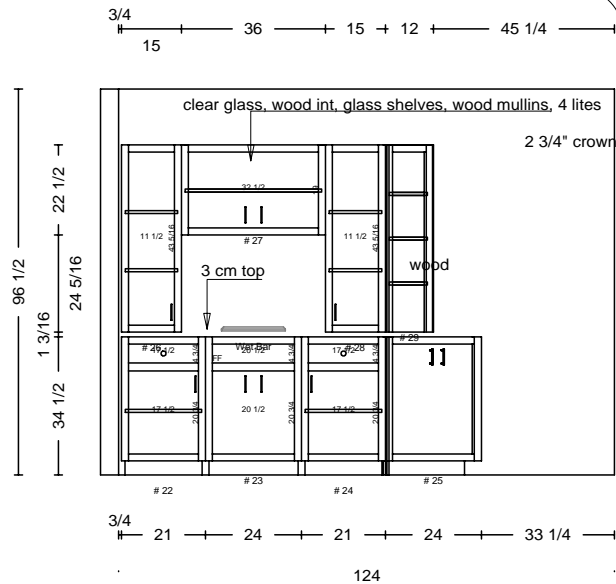
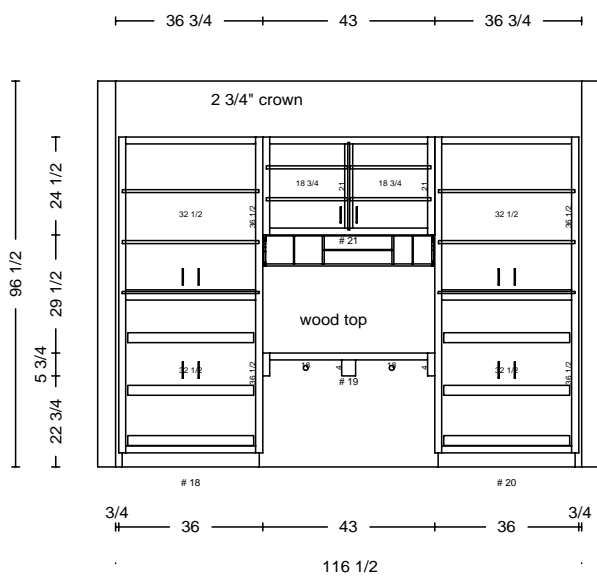
finish: paint & burnish, see sample OG  
 trim uppers to soffit w/ OG moulding



DATE	<h1>THARP CABINET ORDER</h1>			FRAMES
JOB #				
Sheet 3 of 6				
Description Hixon Dunn Residence		Address 1900 Pawnee Dr., Fort Collins, CO		
Name Dunn	WOOD	SOFFIT		
Phone 218-0311	STAIN	DOOR		
Contact Sarah	EDGE	DRAWER		
UPPERS		TOPS	FINGERPULLS	
INSTALL	DELIVER	FLOORS	HINGE	

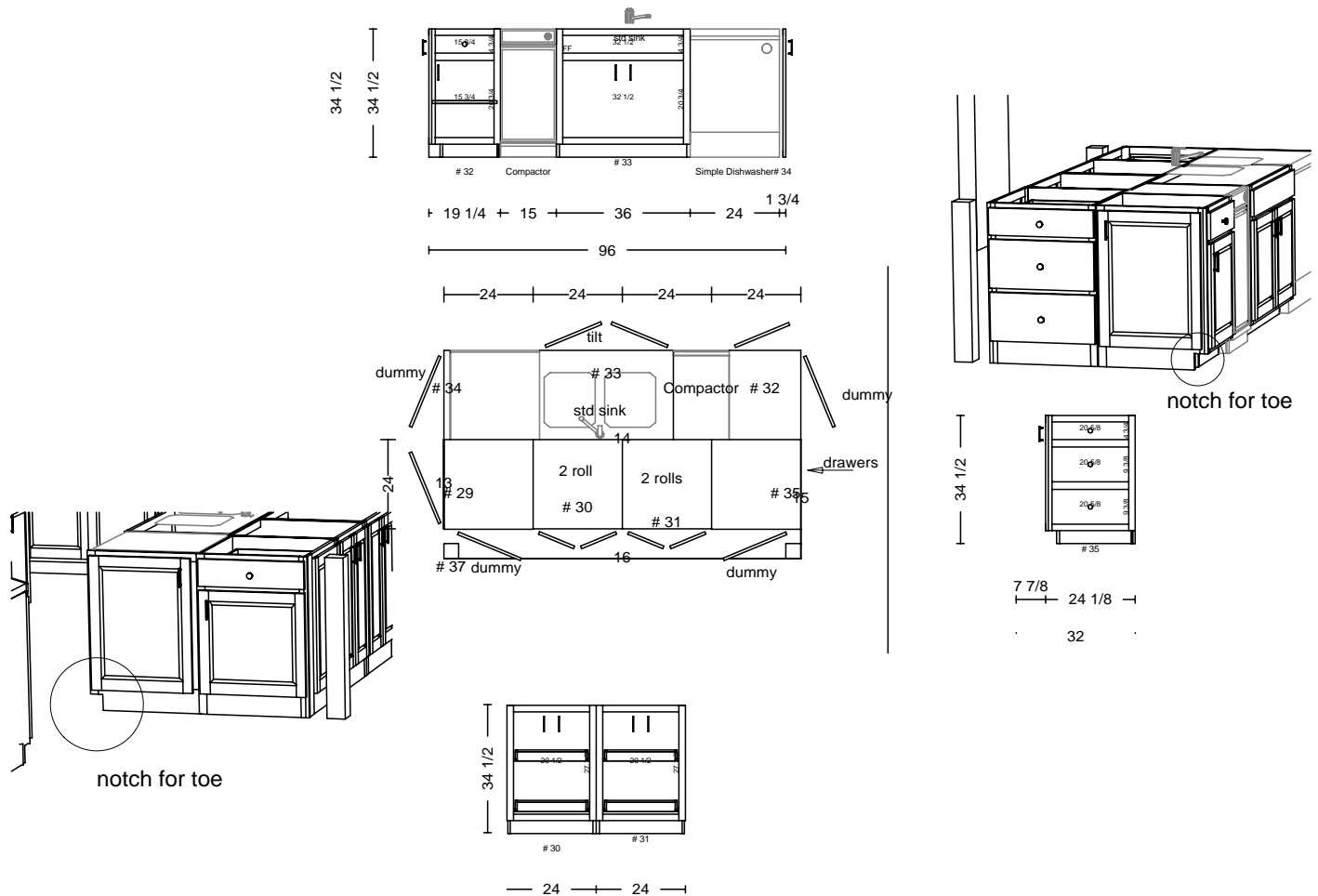
finish: Paint & Burnish

crowns

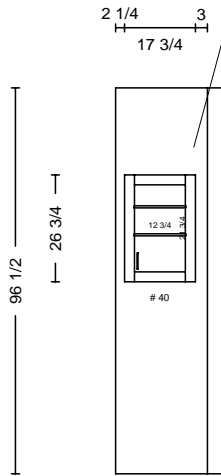
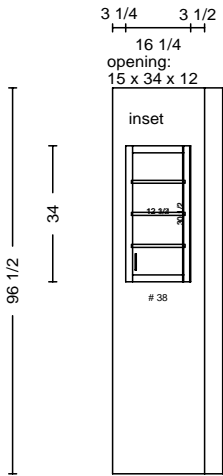
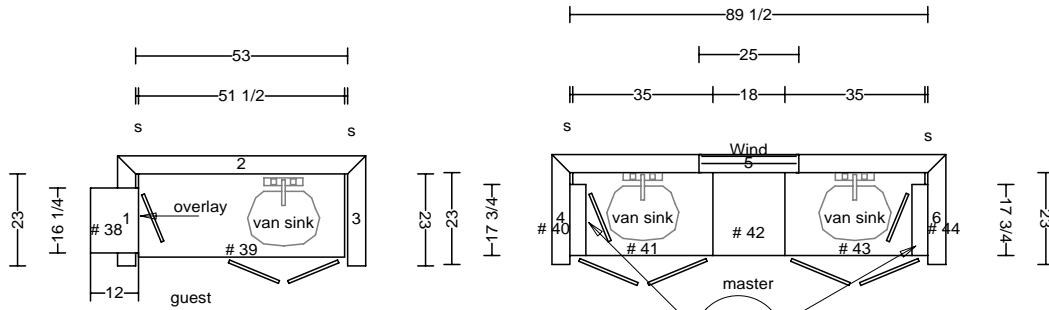


DATE	<h1>THARP CABINET ORDER</h1>			FRAMES	
JOB #					
Sheet 4 of 6					
Description Hixon Dunn Residence		Address 1900 Pawnee Dr., Fort Collins, CO			
Name Dunn		WOOD		SOFFIT	
Phone 218-0311		STAIN		DOOR	
Contact Sarah		EDGE		DRAWER	
UPPERS		TOPS		FINGERPULLS	
INSTALL	DELIVER		FLOORS		HINGE

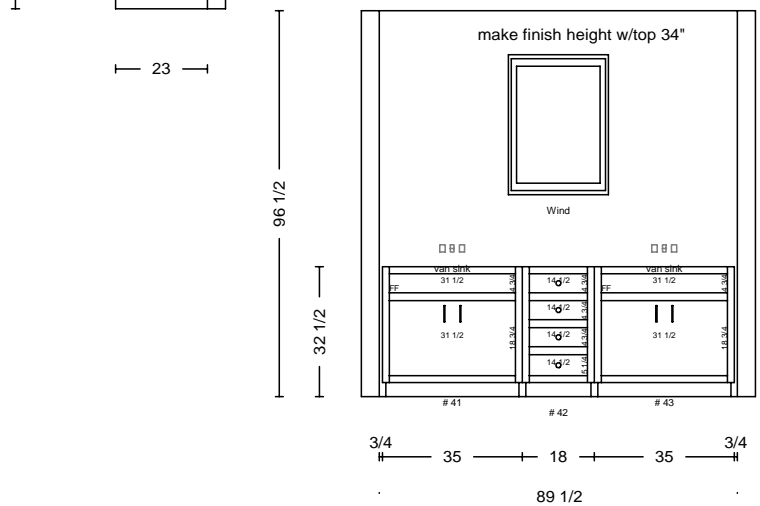
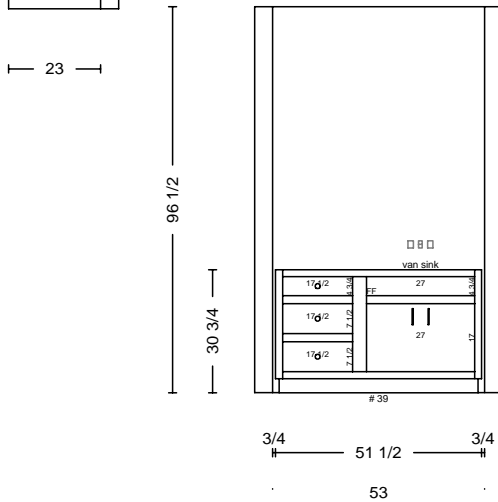
finish: nutmeg



DATE	<h1>THARP CABINET ORDER</h1>			FRAMES	
JOB #					
Sheet 5 of 6					
Description Hixon Dunn Residence		Address 1900 Pawnee Dr., Fort Collins, CO			
Name Dunn		WOOD	SOFFIT		
Phone 218-0311		STAIN	DOOR		
Contact Sarah		EDGE	DRAWER		
UPPERS		TOPS	FINGERPULLS		
INSTALL	DELIVER	FLOORS		HINGE	



drawer:	std
box:	std
glide:	std
stain:	nutmeg



DATE	<h1>THARP CABINET ORDER</h1>		FRAMES	
JOB #				
Sheet 6 of 6				
Description Hixon Dunn Residence		Address 1900 Pawnee Dr., Fort Collins, CO		
Name Dunn		WOOD	SOFFIT	
Phone 218-0311		STAIN	DOOR	
Contact Sarah		EDGE	DRAWER	
UPPERS		TOPS	FINGERPULLS	
INSTALL	DELIVER	FLOORS	HINGE	

## Stain: nutmeg

