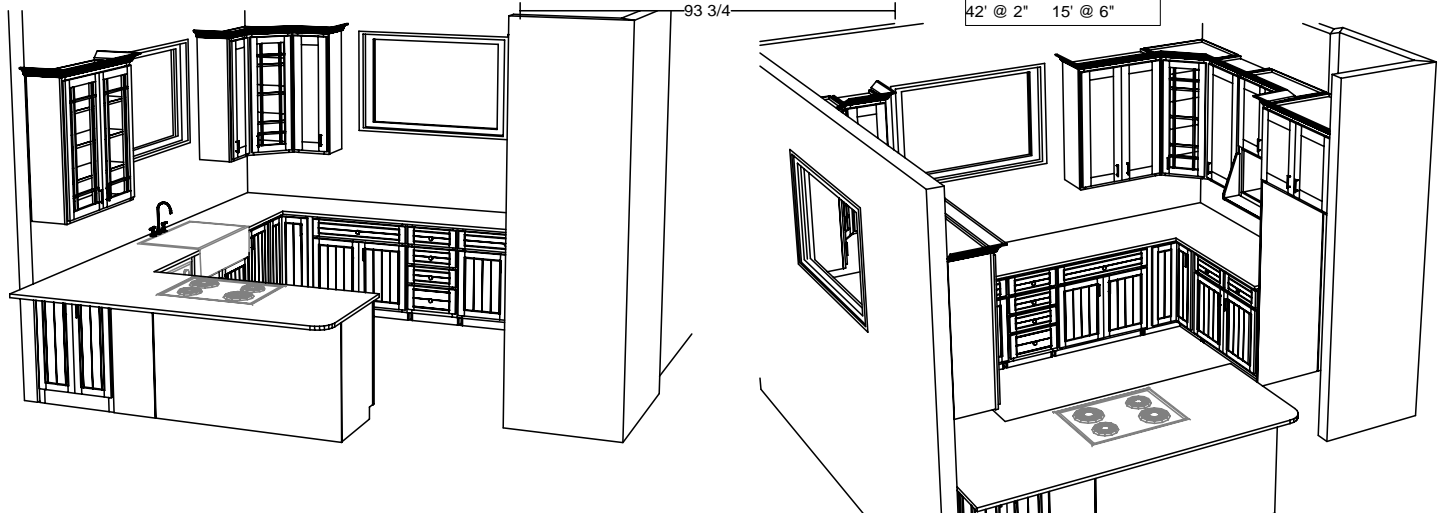
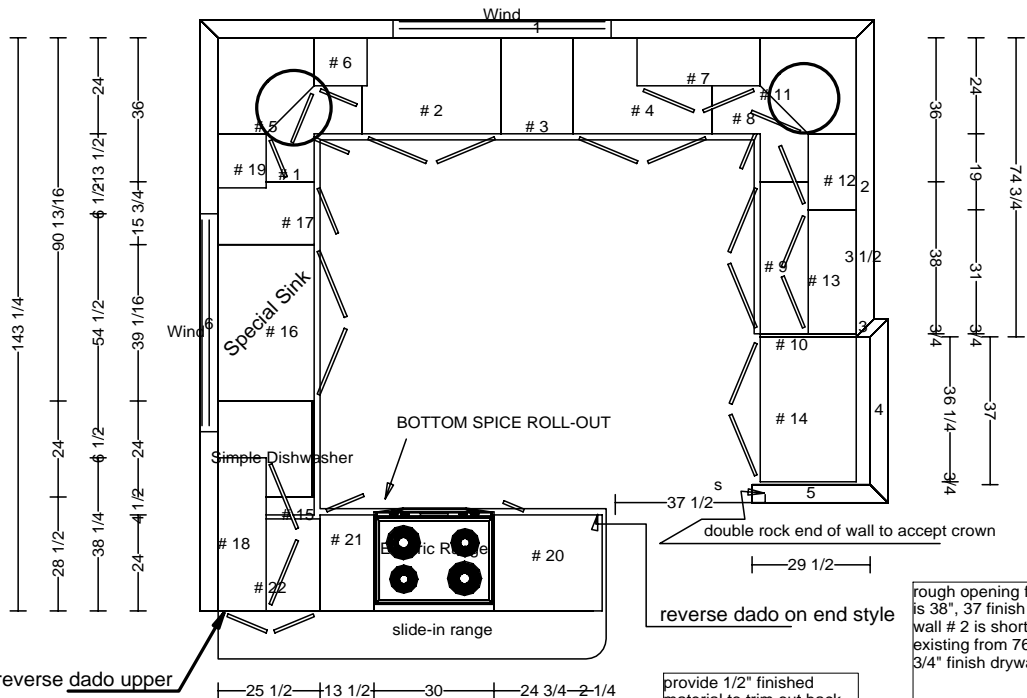
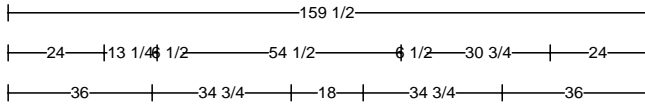


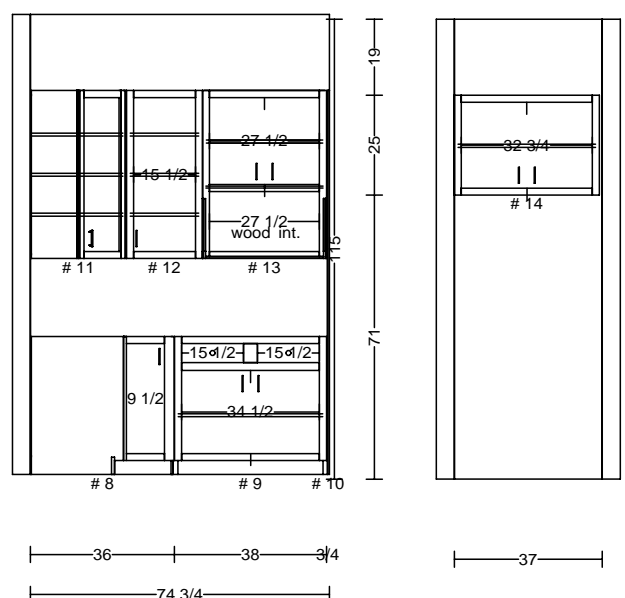
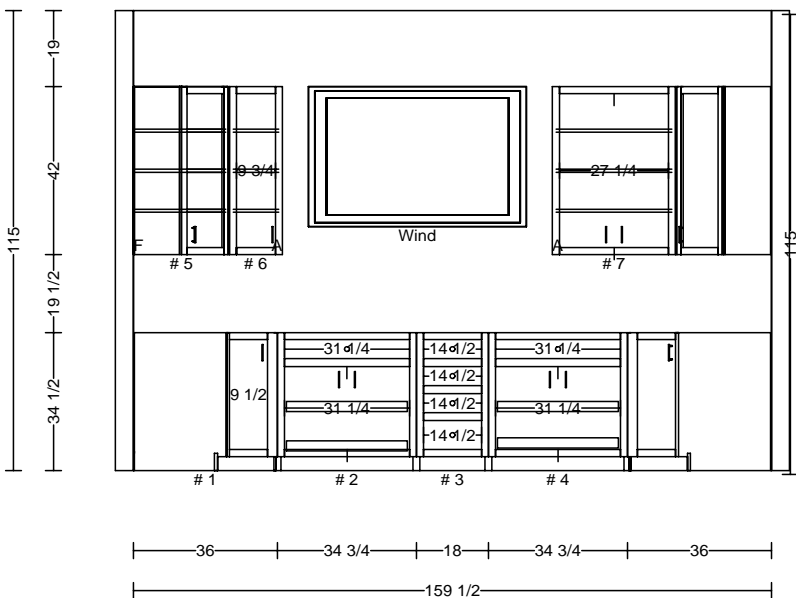
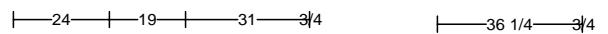
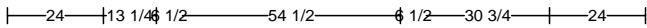
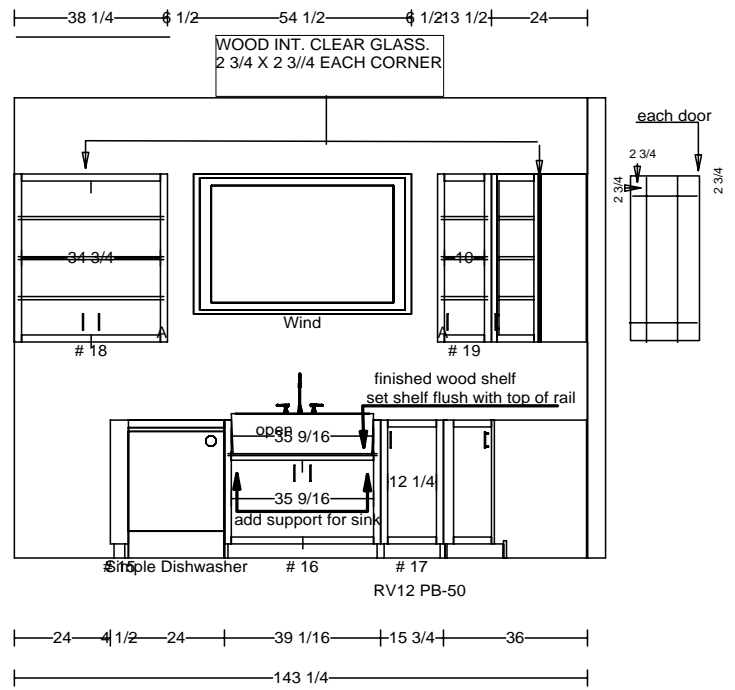
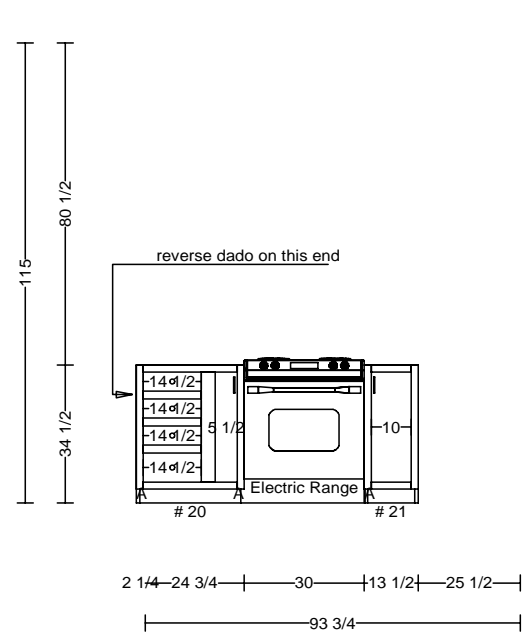
DATE	ray 11.3.03		FRAMES
JOB #	<h1>THARP CABINET ORDER</h1>		
Sheet 1 of 4			
Description Harkin Design		Address 800 W. Mountain, Fort Collins	
Name Keira Harkin Design		WOOD: alder	SOFFIT
Phone		STAIN: red mahogany	DOOR STYLE upper: durango base: camden
Contact		EDGE: none	HINGE: 1 1/4 Euro
UPPERS: 42	TOPS: n/a no sub decks	FLOORS: ??? N/A	
INSTALL (THARP/SELF): seld		CUSTOMER PICK-UP (YES/NO): tharp	

provide toe and 1/4 round trim

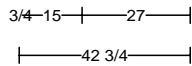
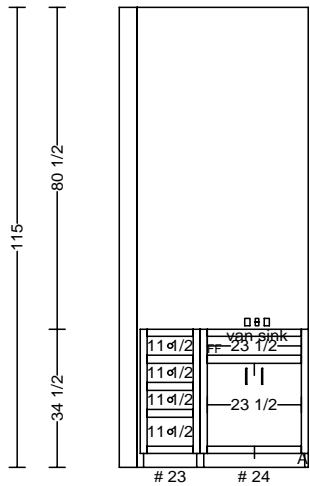
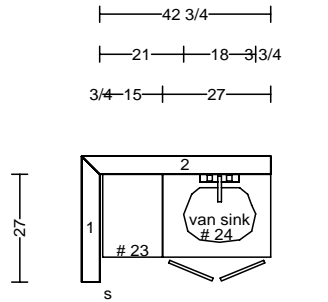
#11, #5, #18 wood int., shaker door with wood mullions see wall elevation #6 for detail on window assembly



DATE	<h1>THARP CABINET ORDER</h1>		FRAMES	
JOB #				
Sheet 2 of 4				
Description Harkin Design		Address 800 W. Mountain, Fort Collins		
Name Keira Harkin Design		WOOD:	SOFFIT	
Phone		STAIN:	DOOR STYLE	
Contact		EDGE:	HINGE:	
UPPERS:		TOPS:		FLOORS:
INSTALL (THARP/SELF):		CUSTOMER PICK-UP (YES/NO):		



DATE	<h1>THARP CABINET ORDER</h1>		FRAMES
JOB #			
Sheet 3 of 4			
Description Harkin Design		Address 800 W. Mountain, Fort Collins	
Name Keira Harkin Design		WOOD:	SOFFIT
Phone		STAIN:	DOOR STYLE
Contact		EDGE:	HINGE:
UPPERS:		TOPS:	FLOORS:
INSTALL (THARP/SELF):		CUSTOMER PICK-UP (YES/NO):	



DATE	<h1>THARP CABINET ORDER</h1>		FRAMES
JOB #			
Sheet 4 of 4			
Description Harkin Design		Address 800 W. Mountain, Fort Collins	
Name Keira Harkin Design		WOOD:	SOFFIT
Phone		STAIN:	DOOR STYLE
Contact		EDGE:	HINGE:
UPPERS:	TOPS:	FLOORS:	
INSTALL (THARP/SELF):		CUSTOMER PICK-UP (YES/NO):	

