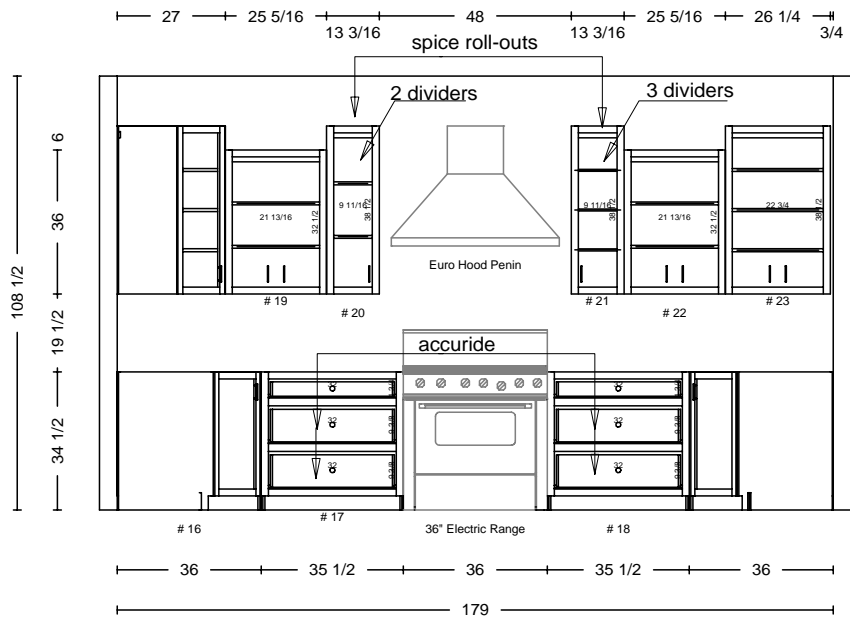
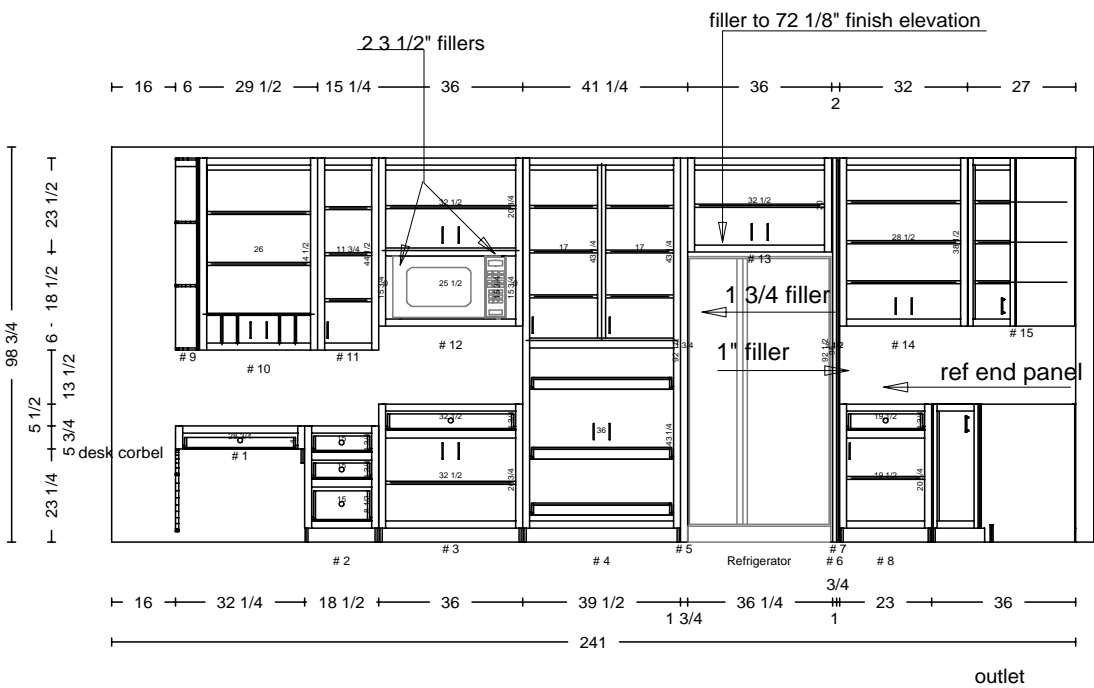
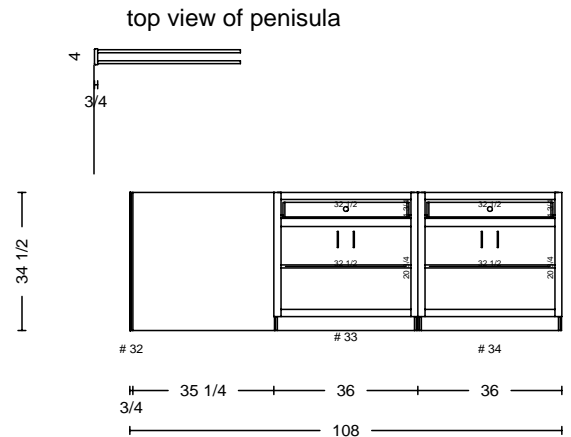
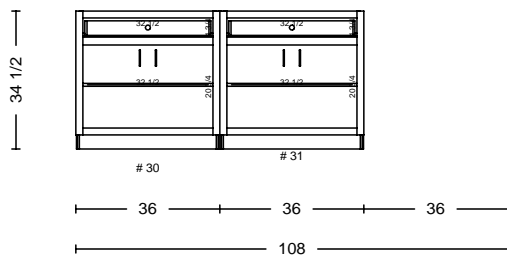
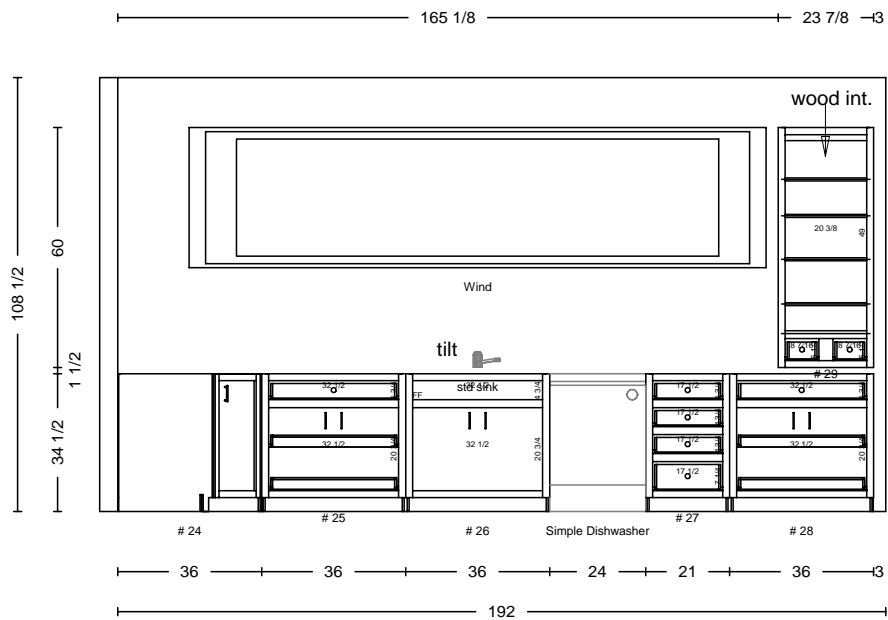


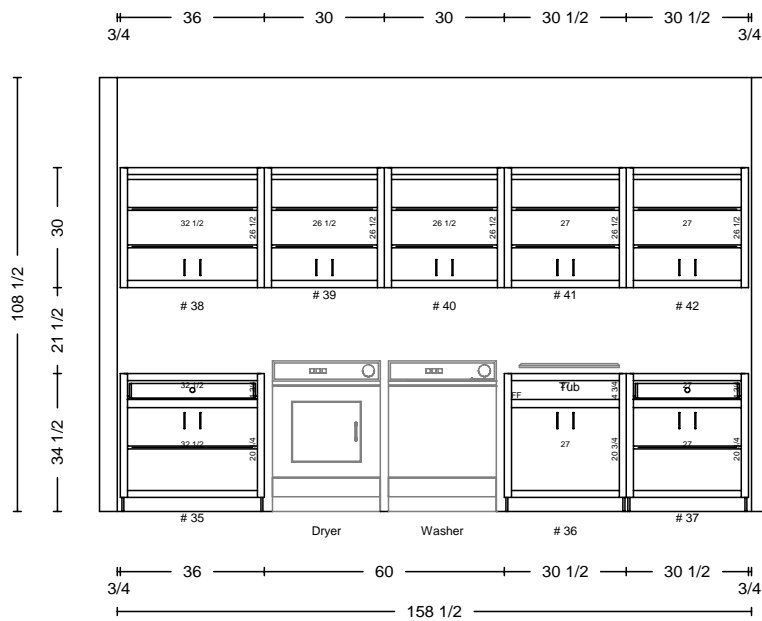
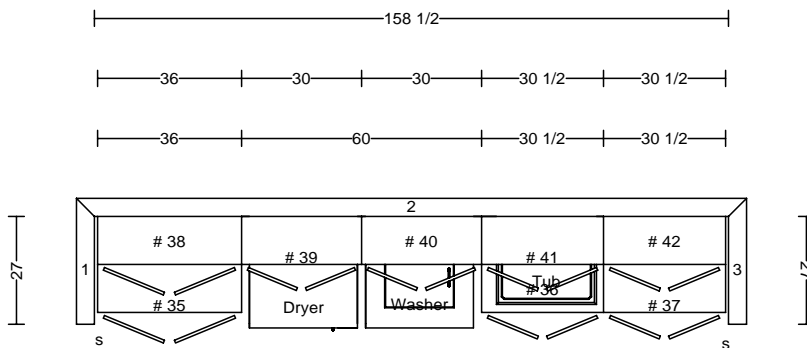
DATE	<h1>THARP CABINET ORDER</h1>			FRAMES	
JOB #					
Sheet 2 of 7					
Description Carver Home		Address 48 Coyote Trail, Greeley, CO			
Name Phillip Carver		WOOD	SOFFIT		
Phone 970-405-9221		STAIN	DOOR		
Contact Phil		EDGE	DRAWER		
UPPERS		TOPS		FINGERPULLS	
INSTALL	DELIVER		FLOORS		HINGE



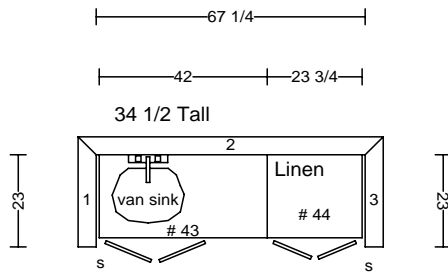
DATE	<h1>THARP CABINET ORDER</h1>			FRAMES	
JOB #					
Sheet 3 of 7					
Description Carver Home		Address 48 Coyote Trail, Greeley, CO			
Name Phillip Carver		WOOD	SOFFIT		
Phone 970-405-9221		STAIN	DOOR		
Contact Phil		EDGE	DRAWER		
UPPERS		TOPS	FINGERPULLS		
INSTALL	DELIVER	FLOORS	HINGE		



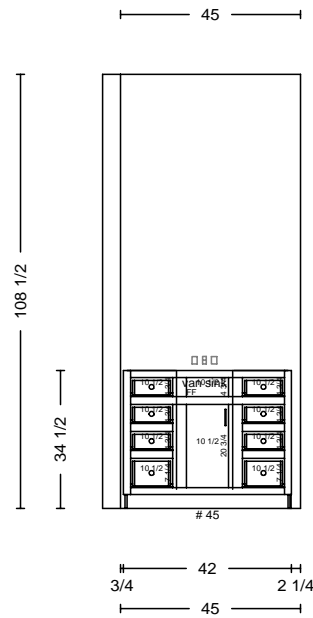
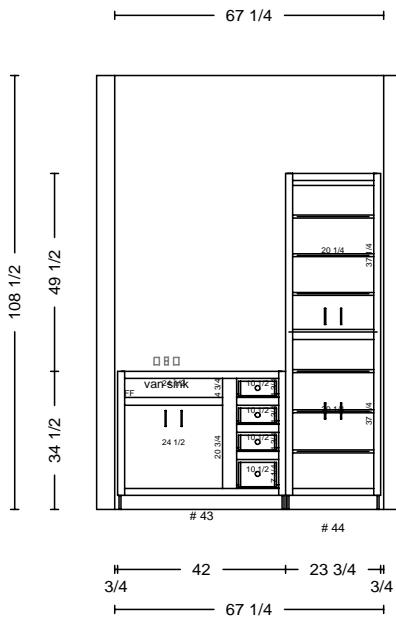
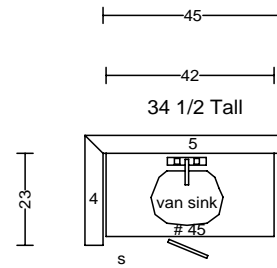
DATE	<h1>THARP CABINET ORDER</h1>			FRAMES	
JOB #					
Sheet 4 of 7					
Description Carver Home		Address 48 Coyote Trail, Greeley, CO			
Name Phillip Carver		WOOD		SOFFIT	
Phone 970-405-9221		STAIN		DOOR	
Contact Phil		EDGE		DRAWER	
UPPERS		TOPS		FINGERPULLS	
INSTALL	DELIVER		FLOORS		HINGE



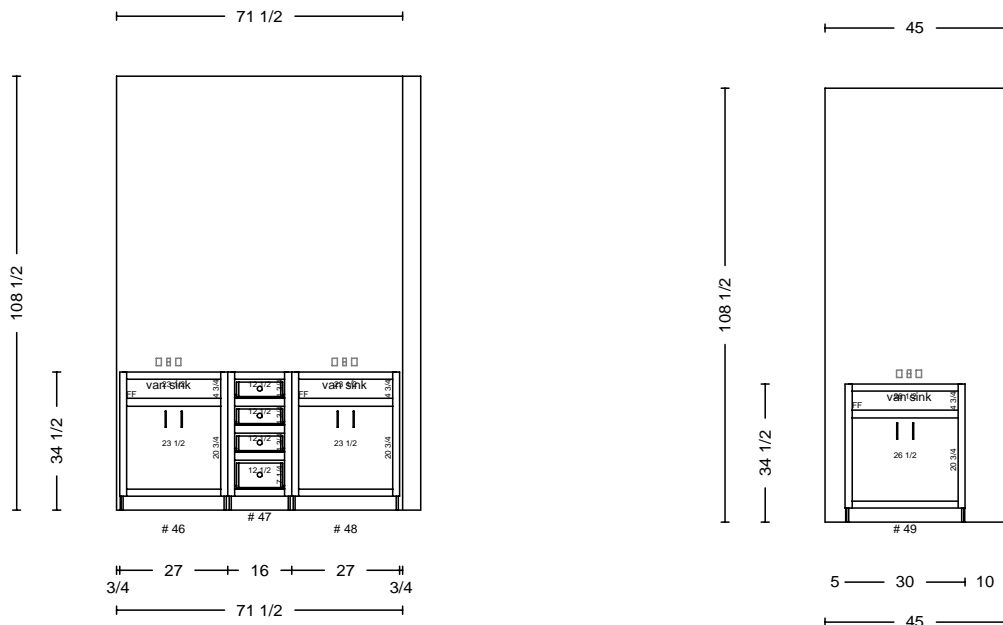
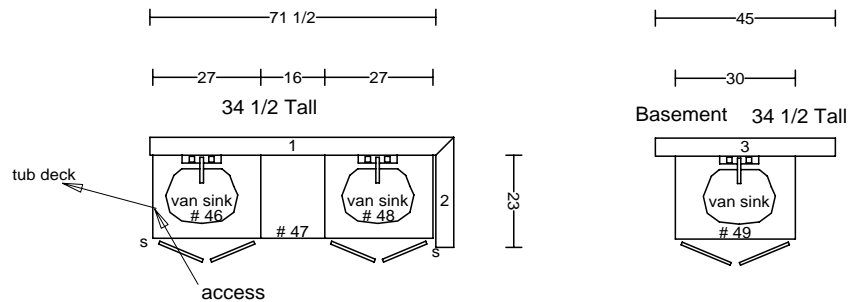
DATE	<h1>THARP CABINET ORDER</h1>			FRAMES	
JOB #					
Sheet 5 of 7					
Description Carver Home		Address 48 Coyote Trail, Greeley, CO			
Name Phillip Carver		WOOD	SOFFIT		
Phone 970-405-9221		STAIN	DOOR		
Contact Phil		EDGE	DRAWER		
UPPERS		TOPS	FINGERPULLS		
INSTALL	DELIVER	FLOORS		HINGE	



upstairs



DATE	<h1>THARP CABINET ORDER</h1>		FRAMES	
JOB #				
Sheet 6 of 7				
Description Carver Home		Address 48 Coyote Trail, Greeley, CO		
Name Phillip Carver		WOOD	SOFFIT	
Phone 970-405-9221		STAIN	DOOR	
Contact Phil		EDGE	DRAWER	
UPPERS		TOPS		FINGERPULLS
INSTALL	DELIVER	FLOORS		HINGE



DATE	<h1>THARP CABINET ORDER</h1>			FRAMES
JOB #				
Sheet 7 of 7				
Description Carver Home		Address 48 Coyote Trail, Greeley, CO		
Name Phillip Carver		WOOD	SOFFIT	
Phone 970-405-9221		STAIN	DOOR	
Contact Phil		EDGE	DRAWER	
UPPERS		TOPS	FINGERPULLS	
INSTALL	DELIVER	FLOORS	HINGE	

